

For official Circulation



MEGHALAYA POLICE HAND BOOK

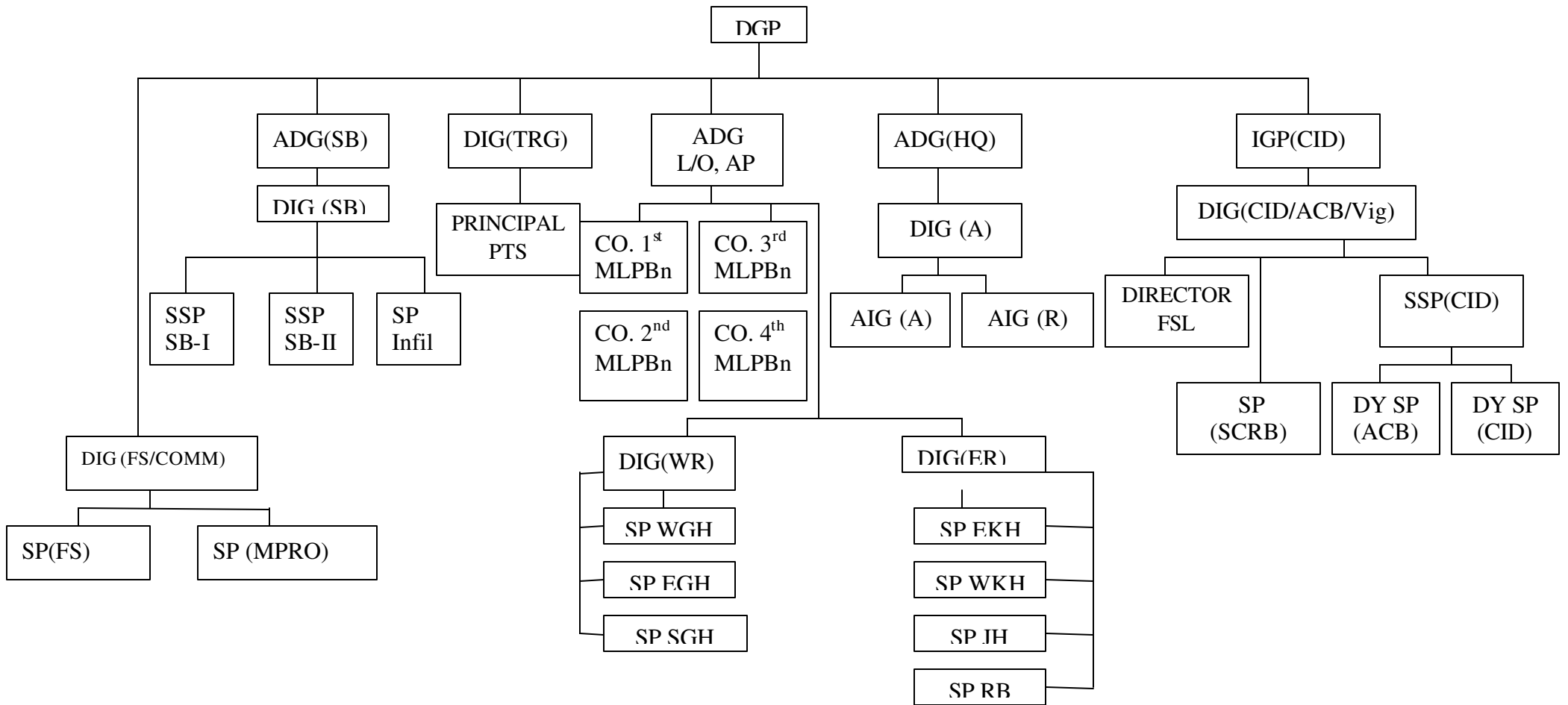


2004

Office of the
Director General of Police
Meghalaya : Shillong

2.	OFFICE OF THE DIRECTOR GENERAL OF POLICE,	4
3.	EAST KHASI HILLS	6
4.	WEST KHASI HILLS DISTRICT	8
5.	JAINTIA HILLS DISTRICT	10
6.	RI-BHOI DISTRICT	12
7.	WEST GARO HILLS	14
8.	EAST GARO HILLS	16
9.	SOUTH GARO HILLS	18
10.	1 ST MEGHALA Y A POLICE BATTALLION MAWIONG.	20
11.	2 ND MLP BATTALION, GOERAGRE	23
12.	3 RD MLP Bn	25
13.	4 TH BATTALION (2 ND IRB)	27
14.	INFILTRATION BRANCH, MEGHALAYA.	28
15.	POLICE TRAINING SCHOOL	32
16.	MEGHALAYA FORENSIC SCIENCE LABORATORY	34
17.	MEGHALAYA POLICE RADIO ORGANISATION	37
18.	THE STATE CID/SCRB	44
19.	MEGHALAYA FIRE SERVICE ORGANISATION	48
20.	PAY SCALES OF DIFFERENT POST IN MEGHALAYA POLICE	51
21.	STATEMENT SHOWING THE SCALE OF PAY OF MINISTERIAL STAFF UNDER POLICE DEPARTMENT	55
22.	SANCTIONED POST UNDER PIF SCHEME GOVERNMENT OF INDIA	56
23.	COMPENSATION FOR HOLIDAYS FOREGONE	57
24.	APPENDIX-I	59
25.	HOUSE RENT ALLOWANCE	61
26.	MODIFIED ORDER FOR GRANT OF RATION ALLOWANCE	62
27.	RISK ALLOWANCE IN FIRE SERVICE	63
28.	RISK ALLOWANCE IN FSL	63
29.	KIT ALLOWANCE	64
30.	GRANT OF KIT MAINTENANCE ALLOWANCE	64
31.	STATEMENT SHOWING VARIOUS ALLOWANCES	65
32.	PRESENT POSITION OF MEGHALAYA POLICE VEHICLES	67

ORGANISATIONAL CHART OF MEGHALAYA POLICE



OFFICE OF THE DIRECTOR GENERAL OF POLICE,
MEGHALAYA ::: SHILLONG

(A) Branches under the AIG (Admn.)

1. **Supply Branch** : This branch deals with procurement of items including clothing, vehicles, machinery and equipment, ration, etc. The branch also receives proposals for sanction of items to be procured by the field offices. The schemes like Modernisation of Police Forces, Modernisation of Fire Service, re-imburement of Security Related Expenditures, Finance Commission Awards, etc. are also dealt with in this branch.
2. **Accounts Branch** : This branch deals with all financial matters including preparation of Budget Estimate, allotment of funds to the field offices, LOA, re-appropriation of funds, advance from Contingency Fund, Supplementary Demand, etc.
3. **Engineering Branch** : This branch deals with all construction works. The MGCC carries out all construction works of the Department. The Engineering branch of DGP's office scrutinizes the estimates and processes the same for sanction. The branch also deals with Plan Schemes of the Finance Commission Award.
4. **Confidential Branch** : This branch deals with all confidential matters and maintains the Annual Confidential Reports of all the officers and staff in the Police Department.

(B) Branches under the AIG (Re-Orgn.)

1. **Force Branch** : Force Branch which functions under the control and supervision of Superintendent, deals with all matters concerning training, transfer, posting, confirmation, promotion of Gazetted and Non-Gazetted officers and ministerial staff of the Police Headquarters and DEFs, Units, creation and retention of posts, deputation of Gazetted / Non-Gazetted officers, preparation and maintenance of gradation lists of Gazetted, Non-Gazetted officers and ministerial staff of the Department, etc.

2. **General Branch** : General Branch functions under the supervision and control of the Superintendent. The Branch deals with pension cases, gratuity, leave encashment, compassionate appointment cases, court cases, Assembly Questions, house building advance/car advance, GPF, medical re-imburement/treatment, complaints, ex-gratia payments, establishments of Police Stations/Out Posts/Beat Houses, standing orders and circulars, sports and games, acts and rules, National Police Commission, Police Reforms, departmental proceedings, rewards, annual administrative report, tour diaries of all officers of Meghalaya Police, various returns required by BPR&D, NCRB and other Government institutions, etc.

3. **Re-Organisation and Welfare Branch** : The branch deals with the Central Police Welfare Fund set up through contributions made from the Unit Funds of the various Districts/Units of Meghalaya Police. 15 % of the income of the Unit funds is contributed to the Meghalaya Police Welfare Fund. The Central Police Welfare Fund is governed by the Meghalaya Police Central Welfare Fund Rules and is managed by a Board of senior officers.
The Central Police Welfare Fund is aimed at meeting the expenses on various welfare measures undertaken by the Department as provided for in the Meghalaya Police Central Welfare Fund Rules.

EAST KHASI HILLS

East Khasi Hills District is one of the oldest districts in the State which was bifurcated from the erstwhile United Khasi and Jaintia Hills after the creation of Meghalaya. It covers an area of about 2,748 Sq Kms. with a population of 6,60,994. Shillong is the district headquarters and State Capital. Apart from the Shillong Sadar Civil Sub-division, Sohra is another Sub-division.

The majority of the inhabitants belong to the Khasi tribe although Shillong City has a cosmopolitan population. Besides being the seat of State administration since the time of British rule, Shillong has a number of private and Central Government establishments including Banks, Army Cantonment, Air Force station, NEC Secretariat and the North Eastern Hill University campus (NEHU). It has been and still is an important centre of education in the North Eastern India.

The main occupation of the people of East Khasi Hills is agriculture, although a few small scale and medium scale industries have recently come up. The Government owned Cement Factory at Mawmluh near Sohra, stone and sand quarrying, coal and lime stone mining give other limited occupations. The popular festivals of the Khasis are "Shad Suk Mynsiem" (dance of joyful heart), observed in March or April, and Nongkrem Dance, a religious festival, observed at Smit in October or November. In the dances, both men and women are allowed to take part.

The district is renowned for its numerous historical and tourist spots especially Mawsynram which has the heaviest rainfall in the world. In Shillong city and its suburbs there are important tourist spots like the Wards lake, a park which was built during 1893-'94 by former British Chief Commissioner Sir William Ward (KCSI), Lady Hydari Park Cum Mini Zoo, the popular Golf Course, Bishop, Beadon, Spread Eagle, Elephant, Crinoline and Sweet Falls spread around the city.

At Sohra and nearby areas, there are the Mawsmi caves, Nonsngithiang, Nohkalikai and Khohramhah Falls, Kynrem Falls on the way to Shella and Dainthlen Falls near Mawsahew village. Its natural landscape also offers ample scope for sight seeing and trekking like the Shillong Peak in Shillong. At Mawphlang, a sacred grove is still being preserved where a variety of orchids and other natural vegetation are found. At Mawsynram, two breast shaped stones are found in Mawjymbuin cave, which is also considered sacred by non-tribals.

The East Khasi District Executive Force has a sanctioned strength of 1164 UB and 1021 AB under the Superintendent of Police.

Police Stations:

1. Shillong Sadar
2. Mawlai
3. Lumdiengjri
4. Laban
5. Laitumkhrah
6. Rynjah
7. Madanriting
8. Cherra
9. Mawsynram
10. Pynursla

Patrol Posts:

1. Shella
2. Bhologanj
3. Tyllap
4. Balat
5. Gomaghat
6. Borsora

Beat Houses/Out Posts:

1. Jhalupara
2. Nongmynsong
3. Mawngap
4. Sohryngkham
5. Mawryngkneng
6. Nongthymmai
7. Cantonment

Sanctioned strength of East Khasi Hills DEF

Un-Armed Branch

SP	-	1
SP (CITY)	-	1
Addl. SP	-	2
DySP	-	4
INSP	-	17
WP/INSP	-	
WP/SI	-	1
UB SI	-	94
ASI	-	102
WP/ASI	-	2
H/C	-	117
UB/Const.	-	808
WP/HC	-	3
WP/Const.	-	11
Total	-	1163

Armed Branch

AB/INSP	-	1
AB/SI	-	15
Hav	-	77
NK	-	36
LNK	-	31
AB/Const.	-	770
Driver Const.	-	80
Handyman	-	11
Total	-	1017

WEST KHASI HILLS DISTRICT

West Khasi Hill District is sandwiched between East Khasi Hills and East Garo Hills Districts. It is somewhat a centrally located District of Meghalaya. The District covers an area of about 5,247 Sq Kms and has a population of about 2,94,000. Nongstoin is the District HQrs, while Mairang and Mawkyrwat are the two Civil Sub-Divisions of the district.

People living in this District are mostly Khasis . Their favourite traditional festival is "Shad Suk Mynsiem" (dance of a joyful heart) which is generally celebrated during April each year. Agriculture is the main occupation of the people. Coal mining is carried out mostly at Shallang and Borsora areas. However, coal mining is also carried out at a minor scale at Maweit and Rambrai. Besides coal mines, the District is also blessed with Uranium which was discovered at Domiasiat which is about 65 Kms away from Nongstoin.

Like other Districts of Meghalaya, West Khasi Hills has a number of places of historical and tourist importance. Near Nongum village, about 65 Kms from Nongstoin, there is a big dome of solid granite rock called " Kyllang Rock". At Jakrem village, about 58 Kms from Nongstoin, there is a mineral water hot spring. Between Mawduh and Byrki villages there is a river island called "Nongkhnum Island which is 18 Kms away from Nongstoin with an area of about 25 Sq Kms. The Island has two waterfalls namely "Kshaid ThumThum" and " Kshaid Wynnina". A religious festival is celebrated every year around March or April at Nolikata village which is about 160 Kms from Nongstoin, in which thousands of people from Bangladesh also take part. Ranikor which is situated in the same area is an ideal angling spot.

Police force in the District consists of 115 UB, 115 AB and 30 FS personnel under the control of the Superintendent of Police. He is assisted by SDPO, Mairang and the Dy. SP (Hq) Nongstoin in his day to day work.

Investigation of cases is supervised by Circle Inspectors, East and West Circles. There are three Police Stations, seven Out Posts and one Border Out Post. All P/Ss and O/Ps have been linked by VHF and HF sets for communication. The average registration of cases in the District is in the vicinity of 150 per year. Fire service is functioning at Nongstoin, Mairang and Mawkyrwat.

List of PSs/OPs in West Khasi Hills District

Police Stations:

1. Nongstoin
2. Mairang
3. Mawkyrwat

Out Posts:

1. Shallang
2. Sonapahar
3. Aradonga
4. Donki-Ingding
5. Sohjarang
6. Mawlasnai

Sanctioned strength of West Khasi Hills DEF

Un-Armed Branch

SP	-	1
DySP (HQ)	-	1
SDPO Mairang-		1
INSP	-	3
UB SI	-	9
ASI	-	13
H/C	-	11
UB/Const.	-	72
WP/Const.	-	4
Total	-	115

Armed Branch

AB/SI	-	2
Hav	-	10
NK	-	5
LNK	-	6
AB/Const.	-	79
Driver Const.	-	8
Handyman	-	
MECH.	-	
Total	-	115

JAIINTIA HILLS DISTRICT

Jaintia Hills District lies at the eastern most corner of Meghalaya. It covers an area of about 3819 Sq. Kms and has a population of about 2,95,000. Jowai is the headquarters of the District and there are two Civil Sub-Divisions, namely, Khliehriat and Amlarem.

Majority of the people living in the Jaintia Hills District are Jaintias or Pnars. Most of them are agriculturists and coal mining is another thriving occupation. Their popular festival is “Behdiengkhlam” (driving away plague) which is celebrated generally during July every year. Laho dance is one of their traditional dances, where men and women take part to the beat of drums and music. This dance had once earned second place in the country’s Republic Day celebrations at New Delhi.

Jaintia Hills Distt. has a number of places and monuments of historical and tourist importance. Thadlaskein village, which is 10 kilometres from Jowai has a beautiful fresh water lake. Legend has it that it was dug by the army of U Sajar Nangli using only the tips of their bows and arrows. At Nartiang village, which is about 30 kilometres north of Jowai, there are collections of big and erect monoliths. They are the tallest ones ever found in Meghalaya and are believed to have been erected by U Mar Phalangki. About 40 kilometres on the Jowai Muktapur road lie the Syndai caves which are also a major tourist attraction.

The executive police force of Jaintia Hills District has a sanctioned strength of 213 UB, 118 AB and 134 Fire Service personnel. The Superintendent of Police is overall incharge of the force and he is assisted by the Addl. Superintendent of Police and Deputy Superintendent of Police (DSB), Jowai and Sub-Divisional Police Officer, Khliehriat.

There are two C.Is in the District. C.I. (West) supervises investigation of cases in the Sadar Sub-Division and Amlarem Sub-Division while C.I.(East) supervises investigation of cases in Khliehriat Sub-Division.

List of PSs, OPs/Patrol Posts in Jaintia Hills District

Police Stations:

1. Jowai
2. Dawki
3. Khliehriat

Out Posts:

1. Raliang
2. Garampani
3. Amlarem
4. Saitsama
5. Nartiang

Patrol Post:

1. Muktapur
2. Umkiang
3. Kalaichar

Sanctioned strength of Jaintia Hills DEF

<u>Un-Armed Branch</u>			SI	-	17
SP	-	1	ASI	-	25
Addl. SP	-		HC	-	13
SDPO	-	1	UBC	-	148
INSP	-	3	10 WP/Const	-	4

Total - **213**

Armed Branch

INSP - 0

ABSI - 1

HAV - 7

NAIK - 5

LNK - 5

D/HAV - 2

D/NK - 0

D/LNK - 0

D.C - 25

ABC - 71

HM - 1

MECH - 1

Total - **118**

RI-BHOI DISTRICT

Ri-Bhoi District came into existence on the 4th June 1992 when the then Nongpoh Sub-Division was upgraded. It is bounded by Kamrup and Goalpara districts on the North, East Khasi Hills district on the South, Karbi Anglong district of Assam on the East and West Khasi Hills district on the West. The district covers an area of 2448 sq.kms and has a population of about 1,93,000. The district is inhabited by Khasis, Garos, Mikir and also other tribes.

Like other districts in Meghalaya, this district also has various places of historical and tourist interest which include Umiam which is only 17 kms from the state capital, Sohpetbneng Peak, the Nehru Park, Dwar Ksuid and Raitong Peak. Recently, the Umroi airport was inaugurated linking this part of the North Eastern State with the rest of the country.

The investigation of cases is supervised by 3(three) Circle Inspectors i.e C.I. North located at Khanapara, C.I. (Sadar) located at Nongpoh and C.I. (South) located at Umiam.

List of PSs, OPs/Check Gates in Ri-Bhoi District

Police Stations:

1. Nongpoh
2. Khanapara
3. Umiam

Out Posts:

1. Kyrdemkulai
2. Umsning
3. Umroi
4. Byrnihat
5. Mawlasnai
6. Amjong
7. Umsiang
8. Pilangkata
9. Iewmawroh
10. Patharkmah

Check Gate:

1. Byrnihat

Sanctioned strength of Ri-Bhoi DEF

Un-Armed Branch

SP	-	1	
DySP (Hqr)	-	1	
INSP (UB)	-	4	
SI (UB)	-	24	
ASI (UB)	-	24	
HC	-	16	
UBC	-	145	
MEHC	-	0	12
HM	-	0	
Total	-	215	<u>Armed Branch</u>

INSP (AB)	-	0
ABSI	-	4
HAV	-	14
NAIK	-	2
LNK	-	3
D/HAV	-	0
D/NK	-	0
D/LNK	-	0
D.C	-	16
ABC	-	100
HM	-	2
MECH	-	0
Total	-	141

WEST GARO HILLS

The West Garo Hills District covers an area of 3677 sq. kms. and has a population of 5,15,813. Tura which is its Head Quarters has a population of 58,391. There are two Civil Sub-Divisions, namely, Ampati and Dadenggre besides 7 C D Blocks, namely, Betasing, Dalu, Selsella, Dadenggre, Tikrikilla, Rongram and Zikzak. West Garo Hills District is predominantly inhabited by Garos who happen to be one of the main tribes of Meghalaya.

Tura, the District Head Quarters lies at the foot of the towering and majestic Tura peak range. Tura town derives its name from one of the mythological goddesses, namely, Durama Imbama who was one of the most beautiful, rich and powerful of the three goddesses, namely, Koasi Minduri, Aratcha Rongbare and Durama Imbama. As legend has it, once upon a time, goddess Durama fought a war with goddess Songdu, (i.e Brahmaputra) in which Durama came out victorious.

The District shares its borders with Goalpara and Dhubri districts of Assam in the North and an International Border with Bangladesh on the West and South. The major area of the District is mostly hilly terrain. The northern, western and southern parts of the District are mostly plains. There are four major rivers in the District, namely, Rongai, Jinjiram, Ganol and Bugai.

There are quite a few places of historical or tourist interest in the District some of which are as follows:-

1. Tura Peak Range:- It rises above Tura town and stretches towards the south. the range is famous for its rich and varied flora and fauna of rare varieties which are of medicinal value. It is also famous for its elephant population which is among the highest in the country. The range also encompasses a part of the Nokrek Wild Life Sanctuary. It is also famous for its natural beauty and stands as a natural barrier to obstruct moisture bearing clouds coming from the Bay of Bengal and causing rainfall in the District.

2. Arbella Range:- Adjacent to Tura range is Arbella range which joins with Nokrek Hill, the highest peak in the District. It is believed to be the original home of citrus plants. In order to preserve this plant from going extinct, a citrus sanctuary has been set up at Nokrek Hill. The Sanctuary is about 25 kms. from Tura on the Tura-Williamnagar road.

3. Bhaitbari:- The place came into prominence when a number of historical remains were found during excavation work in the area indicating existence of Kingdoms of a mediaeval era. Archaeological Survey of India is still carrying out research to trace the origin of the historical remains. During winter months, tourists from far off places flock to the area to witness the remains.

Various places in Garo Hills are known for beautiful and scenic picnic spots like rocky Ganol river sides and Chibraggre which are about 10 kms away from Tura. Chibinang and Moonggre are other beautiful picnic spots. These places also give ample opportunities for anglers.

Wangala (harvest festival) is an important annual festival celebrated in the Garo Hills Districts. This is celebrated by the Garos during the month of October after the harvest from Jhum cultivation is over. State Tourism Deptt. organises 100 Drums Wangala Festival at Asanang which is 15 kms. from Tura. In the Wangala Dance Festival the Garos make offerings of the harvest to God in thanks giving. Time and date of celebration of festival differ from village to village. An interesting part of the celebration is free consumption of "bitchi" (rice beer) and men and women dancing together.

Fire Service Stations have been set up at Tura, Rongram, Dalu, Dadenggre, Mahendraganj, Phulbari, Garobadha and Ampati.

The average registration of cases per year in the District is around 450. There has been a sharp increase in militant related cases which is posing the ¹⁴ biggest challenge to the police since the last 5(five) years.

List of PSs, OPs/Watch Posts in West Garo Hills District

<u>Police Stations:</u>	<u>Out Posts:</u>	<u>Watch Post:</u>	<u>Beat Houses:</u>
1. Tura	1. Garobadha	1. Rajabala	
2. Phulbari	2. Tikrikilla	2. Bogurlavita	
3. Dalu	3. Dadengiri	3. Halidayganj	
4. Mahendraganj	4. Rongram	4. Ampati	
	5. Salsella		
	6. (Check Post)		
	Purakasia		

Sanctioned strength of West Garo Hills DEF

<u>Un-Armed Branch</u>		<u>Armed Branch</u>	
SP	- 1	INSP (AB)	- 1
DySP (Hqrs)	- 1	ABSI	- 4
DySP DSB	- 0	HAV	- 24
SDPO	- 0	NAIK	- 10
INSP (UB)	- 5	LNK	- 6
SI (UB)	- 37	D/HAV	- 0
ASI (UB)	- 43	D/NK	- 0
WP/ASI	- 1	D/LNK	- 0
HC	- 22	D.C	- 31
UBC	- 245	ABC	- 248
WP/Const	- 9	HM	- 2
MEHC	- 1	MECH	- 0
HM	- 8	Total	- 326
Total	- 373		

EAST GARO HILLS

The East Garo Hills District with its head quarters at Williamnagar was created in the year 1976 and started functioning as a full fledged District in 1977. It has a total area of 2603 Sq. Kms and a population of about 2,47,000. There are two Sub-Divisions, namely, Williamnagar Sadar Sub-Division and Resubelpara Civil Sub-Division.

A new Police Reserve complex has been set up at Samgonggre, Williamnagar where six blocks of 6 Unit L/S qtrs and 1 block of four Units U/S quarters for the staff have been constructed. But the Reserve Office is yet to be shifted to the above mentioned new Police Reserve Complex.

All the Police Stations have been provided with one mini truck, 1BP van and 1 Light vehicle each while all the Out Posts have been provided with one light vehicle each for easy mobility and prompt action.

A small MT workshop at Williamnagar caters to the maintenance works of the police vehicles in the District including those of Fire Service.

All police Units in the District are linked with the district Head Quarters through HF/VHF channels. Since regular telecommunication facilities are lacking in the District, the MPRO is rendering an excellent service by keeping the police units in touch with one another. This enables the concerned officers to take prompt and effective action to meet any situation.

List of PSs, OPs/Check Gate in East Garo Hills District

<u>Police Stations:</u>	<u>Police Out Posts/ Anti dacoity camp:</u>	<u>Check Gate:</u>
1. Williamnagar	1. Dainadubi	1. Dainadubi
2. Rongjeng	2. Mangsang	
3. Mendipathar	3. Kharkutta	
	4. Bajengdoba	
	5. Resubelpara	
	6. Ani-Dacoity Camp at Adokgre	

On an average the entire district has a total registration of about 150 to 160 cases every year including 35% to 40% militancy related cases.

Sanctioned strength of East Garo Hills DEF

<u>Un-Armed Branch</u>			
		INSP (UB)	- 3
SP	- 1	SI (UB)	- 10
DySP	- 1	ASI (UB)	- 16
SDPO	- 1	16 HC	- 7

UBC	- 98
WP/Const	- 4
Total	- 141

<u>Armed Branch</u>	
INSP (AB)	- 0
ABSI	- 2
HAV	- 7
NAIK	- 6
LNK	- 4
DC	- 15
ABC	- 68
MECH	- 1
Total	- 87

SOUTH GARO HILLS

South Garo Hills District is one of the newest districts in the State after creation of Meghalaya. The creation of this district was declared on 1st June 1992 by bifurcating it from the erstwhile West Garo Hills District. Its total area is 1887 Sq Kms. The district has a population of 99,105. Baghmara is the district headquarters. The district has 122 Kms long International Border with Bangladesh. Majority of inhabitants in the district are Garos. There are some non-Garos also at the district Hqrs Baghmara. No private or Central Government establishments are located in this district.

Main occupation of the people in South Garo Hills is agriculture, although some people engage themselves in extracting coal from Nangalbibra, Chokpot and Siju coal belt area and exporting of coal to Bangladesh from Gasuapara coal exporting point. People are also involved in limestone mining near Chokpot and all the limestones are supplied to "The Virgo Cement Factory" situated at Dammas in East Garo Hills District. The popular festival of the Garos is "Wangala" observed during October and November. Baghmara also celebrates "Winter Boat Race" in Simsang River during November in which both men and women take part.

The District is renowned for its several historical and tourist spots which include "Dilsa Abri" hills at Baghmara where the rare "Pitcher Flower" is found in abundance, the famous Siju Cave, Siju Pathar where thousands of migratory birds from Siberia come every winter, Balpakram National Park, Dombe Wari natural lake, Chitmag (Kailash) hill top and many other caves. About 150 varieties of orchids and other natural vegetation are found here.

South Garo Hills District Executive Force has a sanctioned strength of 58 UB and 75 AB personnel under the Superintendent of Police. The district has one Dy. Superintendent of Police (HQ), one Fire Station with one Fire Tender at Baghmara and IBI with SIs and ASIs and 1 constable for intelligence work..

List of PSs, OPs, Check Gates in SGH District

Police Station:

1. Baghmara

Out Posts:

1. Rongra
2. Nangalbibra
3. Chokpot

Check Posts:

1. Mahadev
2. Maheshkhola
3. Gasuapara
4. Dimapara

Check Gates

1. Nengkhra

Sanctioned strength of South Garo Hills DEF

Un-Armed Branch

SP	-	1
DySP (Hqrs)	-	1
INSP (UB)	-	2
SI (UB)	-	5
ASI (UB)	-	11
HC	-	3
UBC	-	35
DFM	-	0
MEHC	-	0
HM	-	0
Total	-	58

Armed Branch

INSP (AB)	0
ABSI	1
HAV	5
NAIK	3
LNK	3
D/HAV	0
D/NK	0
D/LNK	0
D.C	6
ABC	56
HM	1
MECH	0
Total	75

THE 1ST MEGHALA POLICE BATTALION MAWIONG.

The 1st MLP Battalion was originally the 7th A.P. Bn. of the erstwhile composite State of Assam which was converted into the 1st MLP Bn on 01.5.72 after, creation of the State of Meghalaya. The 1st MLP BN was formerly located at Bishnupur, Shillong and later on shifted to the present location at Mawiong, on 7th April 1981.

With the shifting of the Bn. to the present location, various facilities have been provided to the Bn personnel, namely:-

- (i) Construction of 20 bedded Hospital with 2 Doctors, 2 Nurses, 1-Dhai and 24 Nursing Halviders.
- (ii) The Hospital besides treating the force personnel and their family members is also catering to the health needs of local residents in time of emergency.
- (iii) A Private L.P. M.E. School for the benefit of the children of Bn. personnel was established in 1974 at Bishnupur and later on shifted to the present location in 1985. Class VII to X were introduced in the year 1998. Presently, there are 275 Students in L.P. Section and 65 in M.E. Section with 6 teachers' salary being paid by the Education Department and salary of another 6 teachers being paid from the Private Fund of the Unit.
- (iv) Welfare Canteen : The Welfare canteen was established on 14.11.1988 with a view to providing grocery and other essential commodities to the Bn personnel and their family members on credit basis.
- (v) With the help of the Director of Supply and D.C. Supply a Govt. Fair Price Shop was also set up for the family members of the Bn personnel who are not entitled to Govt. ration.
- (vi) An S. K. Oil Storage and Depot were also established in 1989 under the license from D.C Supply, Shillong for supplying K.Oil not only to Bn personnel but also to the other Police personnel of E.K.Hills and ministerial staff of the D.G.P. Office, Shillong.
- (vii) Through the Indian Oil Corporation, an L.P.G. Agency was opened in the same year for the benefit of the Bn personnel and their family members.
- (viii) Sincere efforts are being made by Police Headquarters to provide family quarters to Bn personnel under Police Housing scheme. Till date, MGCC has constructed 7 (seven) Nos of G.Os' Quarters, 30 (thirty) units of U.S. Quarters and 188 units of L.S. quarters.
- (ix) This unit has also been functioning as a Training Centre all along and 29 Batches of Recruits have passed out from this Training Centre till date. The present batch of Recruits comprising a total of 196 Recruits from various units will also be passing out shortly. Various promotion / Cadre Courses from Constable to ABI are also conducted in this Training Centre. Besides the Re-Orientation Course from ASI to Inspectors, Special Courses on WT / PSO / CIC and Tear Smoke Courses, etc. are also conducted. However, this Training Centre is yet to be recognized.

- (x) Although this unit is facing various constraints due to shortage of man power, yet a foot ball team comprising 20 men had been selected as a foot ball team which had also participated in the Mullik Tournament in December, 02 at Dergaon, Assam.
- (xi) Besides providing work force for construction and renovation of buildings, etc. from out of unit fund, the men are also pressed into service for rescue operation in time of natural calamities. Recently, the officers and men of this unit were pressed into service during the floods at Polo ground and its adjacent areas, for relief operation.
- (xii) Besides the general duty platoon, this Battalion has a Pipe Band platoon comprising 1 -ABI , 2- ABSI, 3-Havs, 4-Nks and 28 Constables. The Band is being used during the Republic Day and Independence Day functions as well as during other official functions.
- (xiii) The Central Workshop at Bishnupur is also manned by the staff of 1st ML.P Bn With 1 Asstt. Comdt. who is directly supervising the repair and maintenance work of Police and Govt. Vehicles and at the same time imparting Training in driving and repairing works of vehicles to the Police drivers and mechanics.
- (xiv) This unit has a Firing Range which is used both for small arms and other weapons. The other units besides the CRPF and Home Guards are also using this Firing Range for range firing practice.

SANCTIONED STRENGTH OF 1ST MLP.BN.

Executive Staff

1.	Commandant	-	-	-	1.
2.	2nd-in-Command	-	-	-	1.
3.	Asstt. Commandant	-	-	-	8.
4.	A.B. Inspector	-	-	-	11
5.	A.B.Sub-Inspector	-	-	-	27.
6.	Havildar	-	-	-	128.
7.	Naik	-	-	-	45.
8.	Lance Naik	-	-	-	83.
9.	Constable	-	-	-	729.

Central Work Shop

1.	Asstt, Commandant	-	-	-	1.
2.	A.B. Inspector	-	-	-	1.
3.	Typist	-	-	-	1.
4.	Sub-Inspector	-	-	-	1.
5.	Havildar	-	-	-	2.
6.	Constable.	-	-	-	5.

Followers

1.	Cook	-	-	-	34.
2.	Sweeper	-	-	-	39.
3.	Barber	-	-	-	10.
4.	Water Carrier	-	-	-	2.
5.	Dhobi	-	21	-	-
					2.

Ministerial Staff

1.	Head Assis tant	-	-	-	1.
2.	Accountant	-	-	-	2.
3.	U.D.A.	-	-	-	1.
4.	L.D.A.	-	-	-	3.
5.	Typist.	-	-	-	1.
6.	Dufiry	-	-	-	1.

Hospital Staff

1.	Doctors	-	-	-	2.
2.	Nurse	-	-	-	2.
3.	Dhai	-	-	-	1

THE 2ND MLP BATTALION, GOERAGRE

The 2nd Meghalaya Police Battalion is situated at Goeragre, about 13 Kms from Tura on the Tura-Guwahati road. It was started in 1982 on a land measuring 30.83 hectares, overlooking the Ganol river which flows from east to west.

The site acquired by the Meghalaya Government for the purpose comprised four Nokma Aking plots of land, which was then a dense jungle inhabited by elephants and other wild animals, with thick bamboo growth. The name Goeragre is connected with a legendary Garo warrior- Goera. The name derives from this hero, which actually means the abode of the great sons of Goera (God of Thunder), who are supposed to be camping here with their thunder stick.

The pioneering ground work for the Battalion was done by the then West Garo Hills Superintendent of Police, Mr S. Prasad, IPS, who was also Battalion Commandant. He was ably helped by the then Assistant Commandant, Mr. S.G. Momin. It was initially started with a skeleton force of 65 personnel only. Now the strength has risen to 1004, comprising 7 (seven) companies, a band platoon, hospital staff and others. Personnel of 2nd MLP Battalion are deployed all over the State for assisting the district administration in policing duty.

A landmark in the history of the Battalion Headquarters was the visit of the Governor, Mr. A.A. Rahim, to the campus on December 11, 1989. It was the first ever visit by a Governor to the Bn. Hqrs when he was warmly received by the staff and personnel of the Battalion. Mr. Rahim also addressed the staff and jawans of the Bn.

One of the main tasks of the 2nd MLP Battalion is to impart training to the newly recruited constables. Temporary Katcha barracks have been constructed on self help basis to accommodate the trainees. Till date, 1154 recruit constables from all over the State have successfully passed out from the Training Centre. In addition to the basic training, the Battalion also conducts courses for Gazetted Officers, UBSIs, ASI Instructors, Senior Cadre Courses, Junior Cadre Courses, Advanced Riot Drill courses and Refresher Courses.

The Bn. has a properly equipped motor workshop, which has been designated as Range Workshop with a view to catering to the needs of its own fleet of vehicles as well as those belonging to the three districts of Garo Hills. The workshop also has facilities for tyre vulcanizing and retreading.

The Battalion maintains two schools, that is, an English Medium Nursery School and a Garo Medium Lower Primary School. Three teachers have been appointed for the purpose and their salary is met from out of the unit fund. In all, there are about 233 students attending these Schools.

A staff Welfare Centre has been functioning in the Battalion since 1985. Through the Centre, bank loans for purchasing sewing machines for the wives of Battalion personnel have been procured by the unit. Necessary training in tailoring is imparted in the unit for the personnel and their family members. Process of getting more such loans is underway.

The Battalion has one unit canteen with facilities to buy essential commodities and toiletries (at FCI/CSD rates). The unit has LPG Agency which caters to the needs of the Bn. personnel and their families. The Bn. personnel have also undertaken other welfare activities, on a small scale like fisheries and piggery. A branch of Meghalaya Apex Bank is functioning since 1989.

For providing health care facilities to the 2³ Battalion personnel and their families, there is a 10 (ten) bedded hospital with isolation ward which has 2³ surgeons and nurses and one Dhai. It is equipped with sophisticated surgical instruments and also facilities for DPT/BCG/Polio vaccinations for children of the Bn. personnel.

With a view to protecting the available land of the Battalion campus from soil erosion and giving proper landscape to the site, a massive tree plantation and soil conservation programme has been taken up in the Battalion. These include planting of both fruit bearing and ornamental trees. Battalion personnel also took part in social forestry programme by helping to plant trees all along the roadside upto Rongkhon. The Honour Park has a children's enclosure, with merry-go round, swing, see-saw and other recreational facilities.

Ring wells have been constructed in the campus to enable the Battalion personnel to draw water as the existing water supply by the PHE is not sufficient. Further, water is also drawn from the Ganol river.

In addition to their normal duties, the services of the Bn personnel have been utilized for helping people in time of natural calamities and other dire needs. During 1983 and 1985 when heavy monsoons affected the entire Garo Hills snapping road communication by sweeping away the bridge over river Ganol, the Battalion personnel came to the rescue of the affected people. They did a commendable job to clear heaps of earth from the road and helped transport the stranded passengers. The Bn. personnel also donated blood to the needy and sick people.

To inculcate in the minds of the trainees and battalion personnel, a spirit of competition and sportsmanship, various competitions in the field of sports and games, both indoor and outdoor, have been organised from time to time. The Battalion football team has been participating in all major tournaments of the District and has been winning laurels every year. In order to provide entertainment to the force and their family members, Video and 16 mm films are being screened every now and then in the Battalion's Community hall.

SANCTIONED STRENGTH OF 2ND MLP BATTALION

(a) EXECUTIVE STAFF

1.	Commandant	1
2.	2 nd in Command	1
3.	Asstt. Commandant	8
4.	AB Inspector	10
5.	AB Sub-Inspector	26
6.	Havildar	133
7.	Naik	47
8.	Lnk	83
9.	Constables including driver	725

(a) Ministerial Staff

1.	Head Assistant	1
2.	Accountant	2
3.	UDA	1
4.	LDA	4
5.	Duftry	1
6.	Peons	2
7.	Chowkidar	1

3RD MLP Bn

The 3rd MLP Bn. which is also the 1st India Reserve Bn. was raised on 4th March 1997, at first with its Head Quarters at Jowai in Jaintia Hills Dist. The Battalion was located at Khliehtyrshi, Jowai and functioned from a rented house during the initial stage. Due to the delay in the acquisition of land in Jaintia Hills district, the Bn. Hqr was shifted to Siejlieh, Nongstoin on 1st April 2000 and since then the office of the Commandant is functioning from the two rented buildings there.

ACCOMMODATION

All Gazetted Officers are presently accommodated in the Dy. Commissioner West Khasi Hills' Staff Quarters at Nongstoin.

Some non-gazetted officers are occupying the vacant buildings of the Fire-Service, Nongstoin at Mawiaban.

The constables and new recruits are housed in the godown buildings of the Industry Department at Mawiaban. The rest of the staff are staying outside in the rented houses around Nongstoin, Siejlieh and Mawiaban villages.

At present, the main function of this Battalion is to provide security and assist the District executive force in the border Districts of West Khasi Hills and South Garo Hills. Besides, a company of S.O.T. with Head Quarter at Mawiong, Shillong is also a part of this Battalion.

The officers and men of this Battalion are deeply involved in various types of operations against militants under the direct supervision of the District Officers. During the year 2002, the following 6(six) personnel of this Battalion fell down to the bullets of the underground elements on 15.03.02 at Aloggrengre, Rajaju West Khasi Hills and on 09.09.02 at Bibragee Chokpot South Garo Hills.

1. ABSI Prafulla Gogoi.
2. Bnc/27 Albikros Marak.
3. Bnc/20 Dalison Marak.
4. Bnc/184 Riphinstone L. Kynshi.
5. Bnc/98 Sahimson P. Marak.
6. Bnc/215 Binosix Nongsiej.

SANCTIONED STRENGTH OF THE 3RD MLP BN. (IRB), SIEJLIEH, NONGSTOIN:

	<u>Sanctioned Strength</u>
<u>Gazetted</u>	
1. Commandant	1(one)
2. Second-in-Command	3(three)
3. Asstt. Commandant	7(seven)
<u>Non-Gazetted Staff:</u>	
1. Armed Branch Inspt.	7(seven)
2. Armed Branch Sub-Inspt.	23(twenty three)
3. Asstt. Sub-Inspt.	18(eighteen)
4. Hav. Head Const.	160(one hundred sixty)
5. Constables	675(six hundred seventy five)
6. Water Carrier/Barber/ Dhobies/Cook/Sweeper.	69(sixty nine)
<u>Wireless Staff</u>	
1. Inspector	1(one)
2. Sub-Inspector	2(two)
3. Asstt. Sub-Inspector	4(four)

(Head Constable)	
4. Constables	26(twenty six)
(Operators)	
<u>Ministerial Staff</u>	
1. Head Asstt.	1(one)
(Head Clerk)	
2. U.D. Asstt. (Clerk)	2(two)
3. L.D. Asstt. (Clerk)	3(three)
4. Stenographer	1(one)
<u>Medical Staff</u>	
1. Doctor	1(one)
2. Pharmacists	2(two)
3. Nursing Asstt.	1(one)

4TH BATTALION (2ND IRB)

The 2nd IRBN which is also the 4th MLP Bn formally became functional on 28.02.2002 with the assumption of charge of the office by Shri J. Rymmai, MPS as Commandant. The office of the 4th MLP Bn is currently functioning from the Police Headquarters as land for this battalion is yet to be acquired. The Commandant is assisted by 1(one) 2nd - in - Command, 1(one) Asstt. Commandant, 1 Insp, 1 ASI and 2 Constables.

THE SANCTIONED STRENGTH OF THE BATTALION:-

	C.O	2I/c	A/c	Insp	ABSI	ASI	Hav	Const	Foll	Communication Wing			
										Insp	SI	ASI	Opr
S/s	1	3	7	7	23	18	160	675	69	1	2	4	26

MINISTERIAL STAFF

	H.A/Acctt	UDA	LDA	Stenographer
S/s	1	2	3	1

MEDICAL STAFF

	Medical Officer	Pharmacist	Nursing Asstt.
S/s	1	2	1

In the month of May 2002, recruitment test for the post of constables was conducted all over the state and in the month of September the results of the successful candidates were declared. 770(Seven hundred and seventy) candidates were issued with appointment letter out of which 493(four hundred ninety three) reported at 1st MLP Bn, Mawiong, East Khasi Hills, 251 at 2nd MLP Bn, Goeragre, West Garo Hills and 26 wireless operators at M.P.R.O. office, Shillong. Except for the wireless operators, the Recruit Constables were sent to Dergaon Training Centre, Assam to undergo Basic Training where they are still undergoing their Basic Training.

INFILTRATION BRANCH, MEGHALAYA.

Meghalaya has a 443 Kms long border with Bangladesh and 695 (approximate) kms border with Assam. However, there are only 291 sanctioned Police officers and men under PIF Scheme (Govt. of India =194 and Govt. of Meghalaya = 97) to cover 1138 kms long border (both inter-national and inter-state) covering about 5629 villages.

The P.I.F. Scheme was introduced in Meghalaya during the year 1962. Initially, under the scheme, 4 Watch Posts, 10 Patrol Posts, 4 Passport Check Posts and a few staff for Special Branch at Shillong and Tura were created. The total number of personnel manning the above posts was 146. Later on, Govt. of India vide MHA No. VI.17019/10/81-GXQ Dt. 20.9.83 sanctioned 12 posts of S.Is, 12 posts of H/Cs and 24 posts of constables for 12 additional Check Posts raising the strength to 194 personnel.

Sanctioned Posts : The following are the sanctioned posts under PIF Schemes of Govt. of India and of Govt. of Meghalaya.

Sanctioned Posts under P.I.F. Scheme, Govt of India.

I.	<u>Watch Posts:</u>	<u>S.I.</u>	<u>A.S.I.</u>	<u>Const.</u>				
	1. Hallidayganj WP	1	-	2				
	2. Rajaballa WP	1	-	2				
	3. Bagularbhita WP	1	-	2				
	4. Ampati WP	1	-	2				
		<u>Hav</u>	<u>Naik</u>	<u>AB Const</u>	<u>Other staff</u>			
	Armed Force :-	1	1	11	5			
II.	<u>Patrol Posts:</u>	<u>S.I.</u>	<u>A.S.I.</u>	<u>Const.</u>				
	1. Balat PP	1	1	6				
	2. Shella PP	1	1	6				
	3. Tyllap PP	1	1	6				
	4. Bholaganj PP	1	1	6				
	5. Gomaghat PP	1	1	6				
	6. Borsora PP	1	1	6				
	7. Muktapur PP	1	1	6				
	8. Dawki PP	1	1	6				
	9. Umkiang PP	1	1	6				
	10. Kalaichar PP	1	1	6				
III.	<u>Passport</u>							
	<u>Check Posts:</u>	<u>S.I.</u>	<u>A.S.I.</u>	<u>Const.</u>				
	1. Dalu PCP	1	-	2				
	2. Baghmara PCP	-	1	1				
	3. Bholaganj PCP	-	1	1				
	4. Dawki PCP	1	-	2				
IV.	<u>For taking Finger</u>							
	<u>Impression and</u>	<u>S.I.</u>	<u>A.S.I.</u>	<u>Const.</u>				
	<u>Photographs:</u>							
	1. Shillong	1	1	1				
	2. Tura	1	1	281				
V.	<u>For Special Branch</u>							
		<u>Dy.SP</u>	<u>Insp</u>	<u>SI</u>	<u>ASI</u>	<u>Const</u>	<u>D/C</u>	<u>other staff</u>
	1. Shillong	1	2	4	-	4	1	2

2. Tura	-	2	2	-	2	-	-
VI. <u>Additional CP</u>			<u>S.I.</u>		<u>H/C.</u>		<u>Const.</u>
1. Lyngkhat ICP			1		1		2
2. Jamai Dwar Umpung Addl CP			1		1		2
3. Ratacherra Addl CP			1		1		2
4. Rongkhum Addl CP			1		1		2
5. Mahadeo Addl CP			1		1		2
6. Gasuapara Addl CP			1		1		2
7. Ringku Addl CP			1		1		2
8. Nongshken Addl CP			1		1		2
9. Passadwar Addl CP			1		1		2
10. Maheshkhola Addl CP			1		1		2
11. Dimapara Addl CP			1		1		2
12. Purakhasia Addl CP			1		1		2

DySP	=	1
Insp	=	4
SI	=	36
ASI	=	14
H/C	=	12
AB Const	=	11
UB Const	=	106
D/C	=	1
Havildar	=	1
Naik	=	1
UD	=	1
LD	=	2
Typist	=	2
Duftry	=	1
Attendant	=	1

~~~~~  
Total =194

2. **Sanctioned Posts under P.I.F. Scheme, Govt of Meghalaya.**

|                                     |   |   |                      |                    |
|-------------------------------------|---|---|----------------------|--------------------|
| I. <b><u>S.P. Infil</u></b>         | - | 1 |                      |                    |
| II. <b><u>Check Posts:</u></b>      |   |   | <b><u>A.S.I.</u></b> | <b><u>H.C</u></b>  |
| 1. Khliehriat CP                    |   |   | 2                    | -                  |
| 2. Pynursla CP                      |   |   | 2                    | -                  |
| 3. Cherrapunjee CP                  |   |   | 2                    | -                  |
| 4. Mawsynram CP                     |   |   | 2                    | -                  |
| 5. Sibbari CP                       |   |   | 2                    | -                  |
| III. <b><u>Special Squads:</u></b>  |   |   | <b><u>Inspr</u></b>  | <b><u>S.I.</u></b> |
| 1. Jaintia Hills                    |   |   | 1                    | 1                  |
| 2. East Khasi Hills                 |   |   | 1                    | 3                  |
| 3. West Khasi Hills                 |   |   | 1                    | 1                  |
| 4. East Garo Hills                  |   |   | 1                    | 1                  |
| 5. West Garo Hills                  |   |   | 1                    | 2                  |
| IV. <b><u>Check Gates:</u></b>      |   |   | <b><u>A.S.I.</u></b> | <b><u>H.C</u></b>  |
| 1. Byrnihat CG                      |   |   | 2                    | -                  |
| 2. Dainadubi CG                     |   |   | -                    | 1                  |
| 3. Nengkhra CG                      |   |   | -                    | 1                  |
| V. <b><u>Driver Constables:</u></b> |   |   | 15                   |                    |

29<sub>4</sub>

**Const.**

VI. **Handymen Constables:** 7

|        |   |    |
|--------|---|----|
| SP     | = | 1  |
| Insp   | = | 5  |
| SI     | = | 8  |
| ASI    | = | 34 |
| H/C    | = | 2  |
| CONST= |   | 24 |
| D/C    | = | 15 |
| H/M    | = | 7  |
| ~~~~~  |   |    |
| Total  | = | 96 |

Sanctioned post under PIF Scheme Govt. of India = 194

Sanctioned post under PIF Scheme Govt. of Megh. = 96

~~~~~  
Total = 290

NATURE OF WORK BEING PERFORMED BY THESE STAFF:

The main duty of the PIF staff is to check and detect illegal infiltrators from Bangladesh. In addition to the normal checking and detection of infiltrators, they also perform the duty of surveillance over foreigners and to collect the information relating to the foreigners. In the district headquarters, the staff are engaged in helping the F.R.Os in registration and surveillance over the foreigners and in other miscellaneous works pertaining to the foreigners and illegal infiltrators.

It may be mentioned here that throughout the 443 kms of International border, there are only four Police Stations and four Out Posts which are located within 10 kms from the International border. The Police presence along the borders especially International borders is through the infiltration posts under the P.I.F. Scheme.

Status of Nepali Nationals after lifting of R.A.P.from Meghalaya:-

Prior to lifting of R.A.P. from Meghalaya, various instructions to restrict entry of Nepali nationals into the State were issued by the Govt. from time to time. Nepali nationals being different from other foreigners due to the Treaty of Peace and Friendship between India and Nepal of 1950, the Govt. of India under the Foreigners (Restricted Areas) Amendment Order 1976 divided Nepali nationals into three broad categories Viz. (1) those who came to Meghalaya, before 14.8.71. (2) those who came into Meghalaya after 14.8.71. but before 26.11.79 and (3) those who came after 26.11.79. In pursuance of this, Govt. finally took up scheme for dealing with the persons of Nepali origin staying in India. Nepali nationals who came to Meghalaya before 14.8.71 were not required to obtain R.A.P. but the Nepali nationals who entered the State after 14.8.71 were asked to obtain R.A.P. on or before 25.4.80 with extension of last date upto 28.6.80. These Nepali nationals who came after 26.11.79 (date of issue of Govt. order) are not allowed entry into Meghalaya without R.A.P.

The detection of Nepali nationals has been stopped after the lifting of R.A.P. Vide Govt. of India Notification No. S.O. 45 (E) Dt. 19.5.95. Thus no further action can be taken against the Nepali nationals after the lifting of R.A.P. in view of the Treaty of³⁰Peace and Friendship between the Govt. of India and Govt. of Nepal (1950).

Further, Meghalaya is also facing another problem of influx of Muslims from the neighbouring State of Assam. Even though they are suspected to be Bangladeshi nationals, they claim themselves to be residents of certain Districts of Assam and carry with them some documents issued by the authorities of Assam Govt. They are brought to Meghalaya by some contractors, both tribals and non-tribals for engaging them as cheap labour in coal mines, construction works, etc. This category of people are a major threat to the demographic structure of Meghalaya unless a proper system is devised to monitor their movement within the State.

THE POLICE TRAINING SCHOOL

The Meghalaya Police Training School near Golf Links, Shillong was established on April 18, 1977 in an old three storeyed building meant for grade-IV Secretariat employees since handed over to the Police Department.

Initially, the institute was started with Principal and a UB Inspector, 3 UB Sub-Inspectors, 4 Havildars, 10 AB Constables, 1 UD Assistant 1 LD Assistant cum-typist, 2 Cooks, 1 Water Carrier, Sweeper and a Barber.

Subsequently, the School was expanded and the strength of the staff was increased. 3 retired police officers were engaged as Instructors in Indoor subjects on a fixed monthly payment of Rs. 600/- plus honorarium of Rs. 15/- per lecture.

Beginning with Shri D. Diengdoh, APS, as the first Principal, the Police Training School has so far had 18 incumbents in succession, including those who held the post more than once.

Staff and trainees of the Police Training School are being accommodated in buildings available on the campus or in the nearby buildings made available to the Police Training School. While some buildings were constructed by the PWD between 1964 and 1982, others were constructed by the MGCC between 1982 and 1990.

The main campus accommodates the Principal's and Assistant Principal's offices, Welfare Canteen, Reserve Office, General Office, Library, CDI's office, 'Q' Stores, Classrooms, RCs barracks. Guard room and motor garage in one portion. The other portions house the ASIs' barracks, dining hall, Gymnasium, ration store, carpenter's workshop, Instructor's mess, RCs barracks and sanitary facilities.

Three 4 unit RCC buildings constructed by the Meghalaya Government Construction Corporation in 1985 (2 in PTS campus and 1 in MPRO Complex) are being used as family quarters. A langar constructed on self help basis with bamboo poles and tarpaulin roof is being used by RCs. 14 Assam type family quarters, handed over by the Excise Department since 1987, are being used for family accommodation of a UB Inspector and AB Inspector, Sub-Inspectors and 10 Constables.

SANCTIONED STRENGTH OF PTS

1.	Principal	-	-	-	1
2.	Asstt. Principal	-	-	-	1
3.	UB Inspectors	-	-	-	2
4.	AB Inspector (CDI)	-	-	-	1
5.	UB Sub-Inspectors	-	-	-	4
6.	AB Sub-Inspector (Vice CDI)-	-	-	-	1
7.	Havildars	-	-	-	8
8.	Naik	-	-	-	2
9.	L/Naik	-	-	-	10
10.	AB Constables	-	-	-	30
11.	Driver Constables	-	-	-	6

12.	Armourer	-	-	-	1
-----	----------	---	---	---	---

13.	Nursing Orderly	-	-	-	1
14.	Handyman constable	-	-	-	1
15.	UD Asstt.cum-Accountant	-	-	-	2
16.	LDA-cum-Typist	-	-	-	1
17.	Stenographer GD-III	-	-	-	1
18.	Cooks	-	-	-	5
19.	Sweepers	-	-	-	3
20.	Water Carrier	-	-	-	1
21.	Dhobies	-	-	-	2
22.	Barbers	-	-	-	3
23.	Tailors	-	-	-	2
24.	Mali	-	-	-	1
25.	Cleaner	-	-	-	1

MEGHALAYA FORENSIC SCIENCE LABORATORY

Meghalaya Forensic Science Laboratory was established in Shillong in the year 1987. At present the Laboratory is functioning with four Technical Divisions, namely, Physical Division, Chemical Division, Biology Division and Documents Division. Although there are two Police Ranges and seven Districts in the State of Meghalaya, no Regional Laboratory has so far been established. Two Mobile Laboratory Units have been sanctioned. The main Laboratory has been housed in a Government building having a floor area of 600 Sq.m. approximately, which is highly inadequate for development of a modern Laboratory. There is no space for bifurcation of the existing combined Divisions like Chemical Division into Chemistry & Toxicology, Biology into Biology & Serology nor for establishment of New Divisions like Explosive, Polygraph or DNA Analysis. Therefore, a new Laboratory building needs to be constructed along with residential quarters for the staff on a separate campus.

Sanctioned posts

Name of the Posts.	Sanctioned Posts.
Director.	1
Deputy Director.	3
Senior Scientific Officer.	2
Scientific Officer.	2
Senior Scientific Assistant.	3
Scientific Assistant.	2
Laboratory Assistant.	3
Laboratory Bearer.	3
U.D.A.	2
L.D.A.	3
Steno.	1
Peon.	4
Chowkider	2
Sweeper	2
Electrician	1
Driver Constable	2
Total	36

Equipment and Laboratory Infrastructure

The Laboratory has acquired most of the important equipments required for analysis by utilizing funds under Modernization of Police Forces scheme.

<u>Name of equipment</u>	<u>Name of Company/Model</u>
1. U.V. Visible Spectrophotometer with accessories	Shimadzu Model 2401, Japan.
2. FTIR Spectrophotometer with Accessories & Spares	Shimadzu Model 8101, Japan.
3. Gas Chromatograph with capillary column.	Chemito Model 8610.
4. Reprovit Unit & Camera.	Leica, Germany.
5. Waters HPLC Equipment with Millennium Software.	Waters, GmbH, Austria.
6. Millipore Milli Ro & Milli Q Water Purification System.	
7. Atomic Absorption Spectrometer	Shimadzu AA 6200, Japan.
8. 5 Pen Polygraph.	Lafayette Instruments, USA.
9. Leitz Large Forensic Comparison Microscope with Camera.	Leica, Germany.
10. Video Spectral Comparator VSC -1.	Foster & Freeman Ltd., U.K.
11. Twin video Comparator TVC/TC.	Foster & Freeman Ltd., U.K.
12. Binocular Research Microscope with Dewinter Software for image processing	Olympus & De-Winter, India.
13. CAMAG HPTLC Equipment	CAMAG Switzerland
14. Projectina Portable Video Spectral Comparator.	Projectina Switzerland
15. Binocular Florescence Microscope.	Carlzeiss Germany
16. Pharmacia Electrophoresis Equipment	Pharmacia USA

It is proposed to purchase some more sophisticated Equipments like G.C. Mass Spectrometer, Microscope FTIR etc to make the analysis quicker and more accurate.

Major Equipment required to be purchased for FSL Meghalaya.

Name of Equipment.	Function	Approx. price in Lakhs.
1. G.C. Mass Spectrometer (Chemistry Division)	Chemical analysis of Narcotic drugs, poisons and Explosives	45.00
2. Upgradation of FTIR with Microscope Attachment.	Evaluation of Micro objects with FTIR	35.00
3. Projectina Comparison Microscope with Docucentre and other Accessories. Or VSC-2000 Equipment.	Comparison of bullets, cut marks, fibre, hairs etc. Examination of Documents for erasure obliteration	30.00
4. Solvent Extraction System.	Viscera Extraction.	30.00
5. SEM with EDX	Physical Examination	35.00
6. Equipment for Mini DNA Laboratory	DNA Extraction & Analysis.	150.00
Total		325.00

Visit of Crime Scenes & Court Evidence.

Experts from the Laboratory are deputed for visiting scenes of crime as and when they are called by the Investigating Officers. They are also required to depose evidence in various Courts of Law.

Training

Forensic Training courses are run in the Police Training/Courses School Shillong, twice in a year for the Police Officers of the State. Also, FSL experts are deputed to impart Forensic training at North Eastern Police Academy, Shillong, from time to time.

Achievements.

In spite of limited staff and resources, a good number of Research Papers were presented by the FSL staff in the various National and International fora.

- 1) Research Paper on “*Study of Hemoglobin for estimation of Age of Blood Stain*” jointly authored by Smti D.R. Lyngdoh and Dr. K.C. Baruah, had bagged the Young Investigators Award in the 14th International Conference in Forensic Science held at Tokyo in August 1996.
- 2) Director Forensic Science Laboratory, Meghalaya, had been awarded Home Minister’s Award for Meritorious Service in the year 1997 for his contribution in the field of Physical Science. He is the only Officer from the North Eastern Region to receive this distinguished award.
- 3) Director FSL had passed the Assessorship Examination of the National Board of Accreditation of Laboratories, Department of Science & Technology, Government of India, New Delhi, in the year 1998.

THE MEGHALAYA POLICE RADIO ORGANISATION

The MPRO manned by Operators, G D Constables and other supporting staff plays a vital role in the transmission of important messages for the Meghalaya Police. At the head of the hierarchy is the Spl. Superintendent of Police (MPRO), assisted by four Dy. Superintendents of Police and other subordinate officers and staff to run the message control offices, both at the Shillong headquarters and in the seven districts. The total number of personnel, including the headquarters and the districts stands at 658.

The organization also maintains a central MPRO Training Centre at Golf Links, Shillong. Altogether 1,476 personnel have undergone training in the Centre from 1974 upto 2002, in various disciplines like Fitter/Electrician (FE), Radio Mechanic and Operator, TTE operator, Basic Cipher Course, RI Communication Course and HF/VHF/Fitter/Data Pro familiarization courses. The training duration varies from three days to thirty nine weeks, depending upon whether the candidates are old hands or new recruits. With the Meghalaya Police embarking on modernization scheme, in order to meet the new challenges, the MPRO is doing its best to keep pace with the changing times.

SANCTIONED STRENGTH OF M.P.R.O.		
1	Spl. Superintendent of Police(MPRO)	1
2	Addl. Superintendent of Police (C)	1
3	Deputy Superintendent of Police (C)	3
4	Inspectors	15
5	Sub-Inspectors	46
6	Assistant Sub-Inspectors	124
7	Operators	406
8	GD Constables	17
9	Constable Drivers	14
10	Despatch Riders	6
11	Constable Handymen	4
12	Constable Mechanics	2
13	Head Assistant	1

14	Accountant (UDA)	4
----	------------------	---

15	L.D.A.	8
16	Peon	1
17	Sweeper	2
18	Cooks	2
19	Barber	1
	Total	658

NETWORK AND STAFF POSITION IN THE DISTRICTS

DISTR CT	Sl. No	Name of PS/BH/OPS`s	Dy.S.P. (C)	Inspr.	S.I	A.S.I	C/Opr	H.F	V.H.F fixed	V.H.F moble
East Khasi Hills			3	8	8	26	87			
	1	P.C.R. Sadar P.S.	Nil	Nil	1	1	4	1	4	6
	2	MCC. Shillong	Nil	1	10	11	37	6	3	Nil
	3	Shillong Peak RPTR Stn.	Nil	Nil	1	Nil	5	Nil	5	Nil
	4	Garikhana P.S.	Nil	Nil	Nil	Nil	Nil	Nil	2	1
	5	Laban P.S.	Nil	Nil	Nil	Nil	Nil	Nil	2	6
	6	Laitumkhrah PS.	Nil	Nil	Nil	Nil	Nil	Nil	2	12
	7	Madanryting P.S	Nil	Nil	Nil	Nil	Nil	Nil	2	6
	8	Rynjah P.S.	Nil	Nil	Nil	Nil	Nil	Nil	2	6
	9	Nongthymmai BH	Nil	Nil	Nil	Nil	Nil	Nil	1	3
	10	Jalupara BH.	Nil	Nil	Nil	Nil	Nil	Nil	2	3
	11	Mawlai P.S	Nil	Nil	Nil	Nil	Nil	Nil	2	4
	12	Cantonment BH.	Nil	Nil	Nil	Nil	Nil	Nil	2	4
	13	Mawngap OP.	Nil	Nil	Nil	Nil	3	Nil	2	3
	14	Sohrangham OP.	Nil	Nil	Nil	Nil	3	Nil	1	3
	15	Mawryngkneng BH.	Nil	Nil	Nil	Nil	3	Nil	1	3
	16	Shillong Sadar Traffic	Nil	Nil	Nil	Nil	Nil	Nil	1	12
	17	Foot Patrolling	Nil	Nil	Nil	Nil	Nil	Nil	Nil	12
	18	Police Reserve Shillong	Nil	Nil	Nil	Nil	Nil	Nil	1	4
	19	Mawiong 1st. MLP BN.	Nil	Nil	Nil	Nil	3	1	1	Nil
	20	Sohra P.S.	Nil	Nil	1	Nil	4	2	2	3
	21	Shells BOP.	Nil	Nil	Nil	1	2	2	Nil	Nil
	22	Tyllap BOP.	Nil	Nil	Nil	1	2	2	Nil	Nil
	23	Bholaganj BOP.	Nil	Nil	Nil	1	2	2	Nil	Nil
	24	Mawsynram P.S.	Nil	Nil	Nil	Nil	2	2	Nil	Nil
	25	Ballat OP.	Nil	Nil	Nil	1	2	2	Nil	Nil
	26	Pynsursla OP.	Nil	Nil	Nil	1	2	2	1	3
	27	S.P. E/K/HILLS Office	Nil	Nil	Nil	Nil	Nil	1	1	8
		TOTAL	3	9	21	43	161	23	40	111

DISTRICT	Sl. No	Name of PS/BH/OLP's	Dy.S.P. (C)	Inspr	S.I	ASI	C/Opr	H.F	VHF fixed	V.F.H. mobile
Jaintia Hills				1						
	1	Jowai MCC.	Nil	Nil	1	4	12	2	2	Nil
	2	Jowai Police Station	Nil	Nil	Nil	Nil	2	1	2	6
	3	Ummulong O.P.	Nil	Nil	Nil	1	3	Nil	1	3
	4	Khilehriat P.S.	Nil	Nil	Nil	1	3	1	1	3
	5	Garampani P.S	Nil	Nil	Nil	Nil	2	1	1	3
	6	Umkiang PP.	Nil	Nil	Nil	1	3	1	1	3
	7	Raliang OP.	Nil	Nil	Nil	Nil	3	1	1	3
	8	Dawki P.S.	Nil	Nil	Nil	1	3	1	1	3
	9	Muktapur P.P	Nil	Nil	Nil	Nil	2	1	1	3
	10	Nartiang OP.	Nil	Nil	Nil	Nil	2	1	1	3
	11	Khanduli O.P.	Nil	Nil	Nil	Nil	3	1	1	3
	12	Amlarem P.S	Nil	Nil	Nil	1	2	1	1	3
	13	Ladrymbai OP.	Nil	Nil	Nil	1	2	Nil	2	Nil
	14	Jowai repeater stn.	Nil	Nil	Nil	1	2	Nil	2	Nil
		TOTAL		1	1	13	47	13	17	39

DISTRICT	Sl No	Name of PS/BH/OLPs	Dy. S.P (C)	Inspr	S.I	A.S.I	C/Opr	H.F	VHF. fixed	V.F.H mobile
West Khasi Hills			Nil	1						
	1	Nongstoin Police Control	Nil	Nil	Nil	1	2	1	2	6
	2	MCC. Nongstoin	Nil	Nil	2	7	12	2	2	Nil
	3	Mairang PS.	Nil	Nil	Nil	1	4	1	1	3
	4	Sonapahar OP.	Nil	Nil	Nil	1	2	1	1	3
	5	Aradonga BOP.	Nil	Nil	Nil	1	2	1	1	3
	6	Mawkyrwat P.S	Nil	Nil	1	Nil	3	1	1	3
	7	Gomaghat P.P.	Nil	Nil	Nil	1	2	1	1	3
	8	Borsora PP.	Nil	Nil	Nil	1	2	1	1	3
	9	Shallang	Nil	Nil	Nil	1	2	1	2	3
	10	Repeater stn. Porsohsat	Nil	Nil	Nil	1	2	Nil	2	Nil
	11	S.P. Nongstoin	Nil	Nil	Nil	1	Nil	1	1	1
		TOTAL	Nil	1	1	14	33	11	15	28

DISTRICT	Sl No	Name of PS/BH/OLPs	Dy. S.P (C)	Insp	SI	ASI	C/Opr	HF	VHF fixed	VFH mobile
Ri-Bhoi	1	P.C.R. Nongpoh	Nil	Nil	Nil	1	3	1	2	6
	2	MCC Nongpoh	Nil	Nil	3	1	10	2	2	Nil
	3	SP office Nongpoh	Nil	Nil	Nil	Nil	Nil	1	1	1
	4	Umiam PS	Nil	Nil	Nil	1	2	Nil	2	4
	5	Umroi OP	Nil	Nil	Nil	Nil	3	Nil	1	3
	6	Kyrdenkulai Op	Nil	Nil	Nil	Nil	2	Nil	1	3
	7	Umsning Op	Nil	Nil	Nil	1	2	Nil	2	3
	8	Nongpos PS	Nil	Nil	Nil	Nil	Nil	Nil	2	6
	9	Byrnihat OP	Nil	Nil	Nil	1	3	2	2	3
	10	Kanapara PS	Nil	Nil	Nil	1	3	1	2	3
	11	Patharkhama OP	Nil	Nil	Nil	1	3	1	2	3
	12	Mawlasnai OP	Nil	Nil	Nil	Nil	3	Nil	1	3
	13	Umsiang OP	Nil	Nil	Nil	1	3	1	1	3
	14	Pilangkata OP	Nil	Nil	Nil	1	3	1	1	3
		TOTAL	Nil	Nil	3	9	40	10	22	44

DISTRICT	SI No	Name of PS/BH/OLPs	Dy. SP (C)	Insp	SI	ASI	C/Opr	HF	VHF fixed	VFH mobile
West Garo Hills			1	1						
	1	P.C.R. Tura	Nil	Nil	Nil	Nil	3	1	2	6
	2	Repeater Stn. Tura Peak	Nil	Nil	Nil	1	4	Nil	3	Nil
	3	MCC Tura	Nil	Nil	5	8	14	2	2	Nil
	4	Rongram OP	Nil	Nil	Nil	Nil	3	Nil	1	3
	5	Goeragre 2nd MLP Bn	Nil	Nil	1	Nil	2	1	2	3
	6	Dadengri PS	Nil	Nil	Nil	1	2	Nil	2	3
	7	Tikrikilla PS	Nil	Nil	Nil	1	2	1	2	3
	8	Baglarbhitta OP	Nil	Nil	Nil	Nil	2	Nil	2	3
	9	Phulbari PS	Nil	Nil	Nil	1	3	1	2	4
	10	Mahendraganj PS	Nil	Nil	Nil	1	3	1	2	4
	11	Ampati OP	Nil	Nil	Nil	1	2	Nil	2	3
	12	Haldiganj OP	Nil	Nil	Nil	Nil	2	Nil	2	3
	13	Garobada PS	Nil	Nil	Nil	1	2	Nil	2	4
	14	<u>DIG (WR)</u>	Nil	Nil	Nil	Nil	Nil	1	1	1
	15	<u>SP Tura</u>	Nil	Nil	Nil	Nil	Nil	1	1	1
	16	<u>Dalu PS</u>	Nil	Nil	Nil	Nil	2	Nil	2	4
	17	<u>Sasella OP</u>	Nil	Nil	Nil	Nil	2	Nil	2	3
	18	<u>Kalaichar OP</u>	Nil	Nil	Nil	Nil	2	Nil	2	3
	19	<u>Purakhasia OP</u>	Nil	Nil	Nil	Nil	2	Nil	2	3
	20	<u>Jengjal OP</u>	Nil	Nil	Nil	Nil	2	Nil	2	3
	21	<u>Rajabala OP</u>	Nil	Nil	Nil	Nil	3	Nil	2	3
		TOTAL	1	1	6	15	57	9	40	60

DISTRICT	SI No	Name of PS/BH/OLPs	Dy. S.P.(C)	Insp	S.I	A.S.I	C/Op r	H.F.	VHF. fixed	V.F.H. mobile
East Garo Hills				1						
	1	Songsak Repeater Stn.	Nil	Nil	Nil	1	6	Nil	2	Nil
	2	MCC Williamnagar	Nil	Nil	2	7	13	2	2	Nil
	3	PCR willamnagar PS	Nil	Nil	Nil	2	3	1	2	6
	4	SP Office Williamnagar	Nil	Nil	Nil	Nil	Nil	1	1	1
	5	DSP Office W/nagar	Nil	Nil	Nil	Nil	Nil	Nil	1	1
	6	Mangsang OP	Nil	Nil	Nil	1	1	1	1	3
	7	Ronjeng PS	Nil	Nil	Nil	1	2	1	1	6
	8	Bajengdoba PS	Nil	Nil	Nil	1	2	1	1	3
	9	Mendipathar PS	Nil	Nil	Nil	1	2	1	1	6
	10	Dainadubi OP	Nil	Nil	Nil	1	2	1	1	3
	11	Kharkuta OP	Nil	Nil	Nil	1	2	1	1	3
	12	Resubelpara OP	Nil	Nil	Nil	1	2	1	1	4
	13	Nengkhra	Nil	Nil	Nil	1	2	Nil	1	3
	14	<u>Songsak SDO Office</u>	Nil	Nil	Nil	1	1	Nil	1	3
	15	<u>Adokgre OP</u>	Nil	Nil	Nil	Nil	2	1	1	3

		TOTAL	Nil	1	2	19	37	12	18	45
--	--	--------------	-----	---	---	----	----	----	----	----

DISTRICT	SI No	Name of PS/BH/OLPs	Dy. S.P.(C)	Inspr	S.I	A.S.I	C/O pr	H.F.	VHF. fixed	V.F.H. mobile
South Garo Hills										
	1	Baghmara PCR	Nil	1	Nil	1	3	1	2	6
	2	Repeater Stn. Baghmara	Nil	Nil	Nil	1	3	Nil	2	Nil
	3	MCC Baghmara	Nil	Nil	2	3	8	2	2	Nil
	4	Rongra BOP	Nil	Nil	Nil	1	2	1	1	3
	5	Chokpot OP	Nil	Nil	Nil	1	2	1	1	3
	6	Sibbari OP	Nil	Nil	Nil	Nil	2	1	1	3
	7	Gasuapara BOP	Nil	Nil	Nil	Nil	3	1	1	3
	8	Maheshkhola BOP	Nil	Nil	Nil	Nil	2	1	1	3
	9	Nongalbibra OP	Nil	Nil	Nil	Nil	3	1	1	3
	10	SP Baghmara	Nil	Nil	Nil	Nil	Nil	1	1	1
		TOTAL	Nil	1	2	7	28	10	13	25

THE STATE CID/SCRB

Subject to the general control of the Director General and Inspector General of Police, the administration of the Criminal Investigation Department is vested in the Inspector General of Police, CID. The Inspector General of Police, CID is assisted by Deputy Inspector General of Police, CID, Special Superintendent of Police, CID, Superintendent of Police (SCRB), Deputy Superintendent of Police, CID and ACB including other Non-Gazetted Staff.

Different Units of the CID :- The State CID comprises the following units.

1. Cell- I - Crime Statistics and Criminal Intelligence Gazette Section.
2. Cell- II - Finger Print Bureau.
3. Cell- III - Law and Research Section.
4. Cell-IV - Narcotic Cell.
5. Cell- V - Dog Squad.
6. Cell- VI - Office Inspector Branch.
7. Cell- VII - SR Branch.
8. Cell- VIII - CID Police Station.
9. Cell-IX - Reserve Branch.
10. Cell- X - Videography and Photography.
11. Cell- XI - Anti-Corruption Branch.
12. Cell- XII - State Crime Records Bureau.
13. Cell- XIII - Economic Offence Wing.
14. Cell- XIV - Juvenile Cell.
15. Cell- XV - Human Rights Cell.

The following Divisions of the State CID need special mention:-

CID POLICE STATION : Government of Meghalaya vide notification No.HPL.181/92/8 Dated,2nd February 1994 declared CID HQrs as a Police Station under clause (5) of Section 2 of the CrPC 1973, having its Jurisdiction throughout the State of Meghalaya. Special Supdt. of Police functions as the Officer In-Charge of the said P.S and in this capacity performs all duties and responsibilities of an Officer-in-charge of a PS as laid down in the CrPC with regard to the cases registered in the said PS.

The Director General and Inspector General of Police may, either on direction from the

State Government or on his own, order registration of a case in CID Police Station or he can transfer a case registered in a District PS to the CID PS for investigation.

CRIME STATISTICS AND CRIMINAL INTELLIGENCE GAZETTE SECTION :-

The main function of this section is to collect, compile and furnish crime data to various State and Central Government Departments and preparation and publication of monthly CIG. Computerisation of Crime records such as Crime in India and Monthly Crime Statistics has been started with the help of SCRB.

LAW AND RESEARCH SECTION :- The Law Section of CID examines legal and procedural matters arising out of the police administration and investigation in the State. All references on points of law and procedure from the Districts in connection with investigation and prosecution of cases are examined here and Superintendents of Police are suitably advised. Copies of the important Supreme Court and High Court rulings are sent to the District SP's for guidance.

FINGER PRINT BUREAU :- The function of the Finger Print Section is to maintain and classify Record Slips and Search Slips and furnish the expert opinion. The Finger Print Staff also conduct Finger Print training for the DEF Staff.

The Finger Print Bureau started functioning independently from the year 1980 after bifurcation from Assam. The Bureau at present is manned by 2(Two) Finger Print experts of the rank of Inspector under the supervision of Spl.Suptd.of Police,CID. At present the Bureau has Record Slips of 5000 convicted criminals including Bangladeshi Nationals who were arrested and pushed back by Meghalaya Police.

As a part of modernisation of Finger Print Bureau Finger Print Analysis and Tracing System has been installed. Manual comparison is being replaced by comparison through computerised FACTS Machine.

PHOTOGRAPHIC SECTION :- This Section renders assistance to the Police by taking photographs of the scene of crime, Finger Prints and questioned documents. They also take photographs of criminals and cover agitational programmes.

DOG SQUAD :- The services of the Squad is utilised in the detection of crime and criminals. The Dog Squad is used for tracking, explosive sniffing and for anti-sabotage security checking.

NARCOTIC CELL :- The Cell deals with matters relating to illicit traffic in Narcotic Drugs and Psychotropic substance and returns pertaining to the same and collection and compilation of statistics and correspondences with other concerned agencies of the Central and State Government in this regard.

JUVENILE CELL :- Recently, a Juvenile Cell was formed under the charge of DySP/CID. The main function of the Cell is to (1) guide the local police in the enforcement of Social Legislation pertaining to Juvenile delinquency (2) co-ordinating the efforts of the local police in dealing with the cases of pre-delinquents and delinquents, socially handicapped juveniles and victimised children (3) keeping liaison with the Social Welfare Institutions and devising ways and means for the prevention of

juvenile delinquency and (4) dealing with matters relating to the kidnapping and maiming of children for the purpose of begging.

STATE CRIME RECORDS BUREAU :- In order to collect crime statistics and co-ordinate activities of various investigating agencies, the State Government on the recommendations of the Government of India, have sanctioned the creation of the State Crime Records Bureau on the pattern of the National Crime Records Bureau headed by a Supdt. of Police.

The functions of the SCRB are (1) to design and develop application software as required by SCRB and DCRB (2) to modify the existing application software as required by SCRB. (3) to co-ordinate with the agencies identified for the purpose of Computer networking. (4) to co-ordinate with DCRB for the purpose of data and queries. (5) to impart training to the personnel posted in DCRBX and SCRB on application and system Software and (6) computerisation of data on crime and criminals.

Telephone connections have been installed in the 7 DCRBx located at District HQrs which provide on line connectivity between DCRBx and SCRB computers. This has made possible online accessing of crime data from the DCRB in the District to SCRB in the PHQ and to NCRB in New Delhi.

SANCTIONED STRENGTH OF CID/ACB/SCRB

1	Spl. Superintendent of Police (CID)	1
2	Superintendent of Police(SCRB)	1
3	Dy. Superintendent of Police	2
4	Inspectors	16
5	Sub-Inspectors	18
6	Asstt. Sub-Inspectors	10
7	Head Constables	7
8	Constables	17
9	WP/Constables	4
10	Driver Constables	9
11	Constables Handyman	1
12	Total	86

**SANCTIONED STRENGTH OF MINISTERIAL STAFF OF
CID/ACB/SCRB**

1	Supervisory Assistant	1
2	Record Keeper	1
3	U.D. Assistant Accountants	2
4	L.D. Assistants	7
5	Typists	3
6	Peon	3
7	Duftry	1
8	Cook	2
9	Sweeper	1
10	Sweeper (Kennel Man)	1
11	Total	22

MEGHALAYA FIRE SERVICE ORGANISATION

Meghalaya Fire Service came into existence in the year 1972 after its bifurcation from Assam Fire Service. At the beginning, it had only 2(two) Fire Stations, one at Shillong and the other at Tura, and had a few fire appliances and a handful of personnel. Today, Meghalaya Fire Service has reached a sanctioned strength of 876 personnel in different ranks with 6 Fire Stations and 29 Sub Fire Stations and a fleet of vehicles and Fire Appliances as follows :-

Water Tender Pumps	=	70 Nos.
Mini Water Tender Pumps	=	3 Nos.
Water Tanker	=	3 Nos.
Hydraulic Platform	=	1 No.
Foam Tender	=	7 Nos.
Jeep Fire Engine	=	19 Nos.
Jeep	=	12 Nos.
Trailer Pump	=	4 Nos.
Portable Pump	=	24 Nos.
Ambassador	=	1 No.
Commander Jeep	=	1 No.

In order to provide basic fire fighting facilities in each of the Sub-Divisional Head Quarters and important towns, appropriate fund for expansion and modernization of fire service is approved by the State Govt. under Five Year Plans. The Govt. of India had also authorized borrowing of loans from the General Insurance Corporation for purchase of Capital Fire Fighting Equipments w.e.f. 1982. A total of Rs. 239.45 lakhs of loans was received.

At present following are the Fire Fighting Stations and Sub Fire Stations in Meghalaya:-

Sl.	District	Fire Station	Sub Fire Station
1.	East Khasi Hills	Shillong F/S	i) Barabazar Sub F/S ii) Polo Bazar Sub F/S iii)Mawlai Sub F/S iv)Upper Shillong Sub F/S v) Cherrapunjee Sub F/S
2.	Jaintia Hills	Jowai F/S	i) Khliehriat Sub F/S ii) Amlarem Sub F/S iii)Nartiang Sub F/S iv)Dawki Sub F/S v) Garampani Sub F/S
3.	Ri-Bhoi	Nongpoh Sub F/S	i) Umroi Sub F/S ii) Umiam Sub F/S iii)Byrnihat Sub F/S
4.	West Khasi Hills	Nongstoin F/S	i) Mairang Sub F/S ii) Mawkyrwat Sub F/S

- iii)Sonapahar Sub F/S
5. East Garo Hills Williamnagar F/S
i) Rongjeng Sub F/S
ii) Mendipathar Sub F/S
iii)Songsak Sub F/S
6. West Garo Hills Tura F/S
i) Phulbari Sub F/S
ii) Garobadha Sub F/S
iii)Ampati Sub F/S
iv)Dalu Sub F/S
v) Dadengiri Sub F/S
vi)Mahendraganj Sub F/S
vii)Rongram Sub F/S
7. South Garo Hills
i) Baghmara S/FS
ii) Nangalbibra Sub F/S

5(five) more Sub Fire Stations are awaiting sanction from the Govt. to be set up at Tikrikilla, Pynursla , Umkiang, Araimile and Bajengdoba. A proposal for establishment of Sub Fire Stations at Mawngap and Raliang has been submitted to the Govt.

The total fire calls attended to by Meghalaya Fire Service during 1988 were 64 including 13 special calls. Property worth Rs. 37,63,339/- were saved while property worth Rs. 93,09,781/- were lost in the fire incidents. In 1989, Fire Brigade was able to attend to 180 fire calls including 10 special service calls. In the process, property worth Rs. 1,24,44,482/- was salvaged whereas property worth Rs. 2,13,31,527/- was lost and damaged during the incidents.

Records relating to details of fire calls and special service calls from the year 1972 and 1990 are not available. During the calendar year 1987 Meghalaya Fire Service attended to 168 fire calls and property worth Rs. 87,73,650/- was saved due to its timely action. From 1996 to 2001, Fire Service attended to the following Fire Calls and Special Service Calls :-

Year	No. of Fire Calls	No. of Spl. Calls	Life lost	Life injured	Property damaged	Property saved
1996	310	16	38	39	3,14,62,013/-	4,10,16,220/-
1997	252	11	21	32	5,92,79,562/-	2,86,84,810/-
1998	221	5	3	10	5,72,46,664/-	2,31,72,626/-
1999	394	18	51	21	3,73,15,760/-	2,57,22,660/-
2000	273	15	14	14	5,54,96,075/-	2,19,04,919/-
2001	268	29	4	23	6,48,59,940/-	2,77,26,953/-

The office of the Supdt. of Police (FS), Meghalaya, Shillong started functioning w.e.f. 19/02/95. However, the administrative control over Fire Stations and Sub Fire Stations in the Western Range still remains with the S.P. concerned, except in the matter relating to purchase and distribution of fire fighting equipments and appliances.

Since the inception of the office of the Supdt. of Police, (FS) Meghalaya, Shillong in the year 1995, financial achievements both under Plan and Non-Plan for purchase of fire fighting equipments,

buildings and housing are as follows :-

Sl	Year	Budget Amount	Expenditure	Remarks
1.	1995-96	1)Plan- Rs. 50 lakhs 2)Non-Plan Rs.66.58 lakh	1)Rs. 50 lakhs 2)Rs. 66.58 lakhs	a) Salaries- Rs 12.88 lakhs b)Equipments- Rs 9.36 lakhs c)Land Acquisition-Rs1.16lakh d)Construction-Rs 18.00 lakhs e)Communication-Rs10.48lakh
2.	1996-97	1)Plan- Rs. 50 lakhs 2)Non-Plan Rs113.32lakh	1) Rs. 72.25 lakhs 2) Rs. 113.32 lakhs	a)Salaries- Rs. 24.07 lakhs b)F.F.E. Rs. 22.44 lakhs (Fabrication of 4 (four) Foam Tender. c)Building Construction – Rs. 25.74 lakhs
3.	1997-98	1)Plan- Rs. 130.00 lakhs (included Rs. 90 lakhs awarded by 10 th F.C) 2)Non-Plan-Rs. 2,18,70,741.22p	1)Rs. 103,84,181.00 (Excluding of salary of Nangalbibra Sub-FS) 2)Rs.2,18,70,741.22p	a)Salary-Rs24,46,181.00 b)Equipments-Rs.42.63lakhs c)Construction-Rs.26.75 lakhs d)Communication equipments - Rs. 10 lakhs
4.	1998-99	1)Plan- Rs. 154 lakhs (including Rs. 102.00 lakhs award by 10 th (F.C) 2)Non-Plan –Rs. 2,66,75,947/-	1)Rs.142.26 lakhs 2)Rs.2,66,75,947/-	a)Salary-Rs. 41.20 lakhs b)Construction-Rs. 48.97 lakhs c)Fire Fighting equipments – Rs. 52.00 lakhs.
5.	1999-00	1)Plan- Rs. 147.00 lakhs (include Rs.48 Lakhs). 2)Non-Plan Rs.97,642/-	1)Rs. 1,41,49,331/- 2)Rs.3,10,97,642/-	a)Salaries-Rs.44,44,662.56p b)Equipments – Rs.90,95,668.44p. c)Construction – Rs.6,09,000.00p.
6.	2000-01	1)Plan-Rs.146.00 Lakhs (includes Rs.40.00Lakhs awarded by 10 th F.C) 2)Non-Plan Rs.3,37,95,038/-	1)Rs.1,38,05,6000.00/- 2)Rs.3,37,95,038/-	a)Salaries-Rs.46,79,944.00p b)Equipments – Rs.48,55,656.00p c)Construction – Rs.42,70,000.00p
7.	2001-02	1)Plan Rs.96.00 Lakhs (includes Rs.27Lakhs by 11 th F.C) 2)Non-Plan Rs.3,47,74,527/-	1)Rs.90.50 Lakhs. 2)Rs.3,47,74,527/-	a)Salaries-Rs.46.060 Lakhs. b)Fire Fighting Equipments- Rs.13,734 Lakhs. c)Construction – i)Building- Rs.29.39 Lakhs ii)Static Tank-Rs.1.31 Lakhs.

PAY SCALES OF DIFFERENT POST IN MEGHALAYA POLICE

SI No	Name of Service or Post	Scale of Pay
1	2	3

MEGHALAYA POLICE SERVICE (SENIOR).

- | | |
|---|-----------------------------------|
| 1. Superintendent of Police. | Senior Scale of Pay of
IPS/MPS |
| 2. Additional Superintendent of Police. | 8750-275-10400-EB-300-
13100 |
| 3. 2nd in Command M.L.P. Battalion. | 8750-275-10400-EB-300-
13100. |

II.MEGHALA Y A POLICE SERVICE (JUNIOR).

- | | |
|--|--|
| 4. Deputy Superintendent of Police. | 6350-225- 7700-EB-240- 120-
9380-250-11130. |
| 5. Sub-Divisional Police Officer. | 6350-225-7700-EB-240- 120-
9380-250-11130. |
| 6. Assistant Commandant Police
Battalion. | 6350-225-7700-EB-240-
9380-250-11130. |
| 7. Deputy S.P. of Police (Computer &
SCRB). | 6350-225-7700-EB-240-
9380-250-11130. |

III. DISTRICT EXECUTIVE FORCE (GENERAL)/

- | | |
|---------------------------|--|
| 8. Inspector. | 5500-160-6460-EB-175-
7860-190-9760. |
| 9. Sub-Inspector. | 5100-140-5940-EB-150-
7140-160-8740.
With 2 (two) advance increments for Graduates
directly recruited to the Posts. |
| 10. Asstt. Sub-Inspector. | 3725-90-4265-EB-100- 45-2205.
5065-110-6165. |
| 11. Havildar (AB). | 3450-80-3930-EB-90-
4650-100-5650. |
| 12. Head Constable (UB). | 3450-80-3930-EB-90-
4650-100-5650. |
| 13. Constable(AB) & (UB). | 3100-70-3520-EB-80- .
4160-90-5060.
(For Matriculate)
2900-60-3260-EB-70-
3820-80-4620.
(For under matric) |

IV. OFFICE OF THE DIG/I.G. OF POLICE (SB)/CID/ACB)

- | | |
|-----------------------------------|--|
| 14. Head Asstt. | 5300-150-6200-EB-160- , 75
7480-170-9180. |
| 15. Supervisor Asstt/Acctt/Record | 3975-100-4575-EB-II0- |

- Keeper.
 16. First Assistant. 5455-120-6655.
 3975-100-4575-EB-110- 50-
 5455-120-6655
 17. Index Assistant. 3975-100-4575-EB-110- 50
 5455-120-6655.
 18. Asstt.Index Clerk. 3450-80-3930-EB-90-
 4650-100-5650.
 19. Accounts. Asstt. 3100- 70-3520-EB-80-
 4160-90-5060.

V. FORENSIC SCIENCE LABORATORY

20. Director. 10750-325-12700-350-
 14800.
 21. Deputy Director. 8750-275-10400-EB-
 300-13100.
 22. Sr.Scientific Officer. 7750-250-9000-EB-275-
 10375-290-12115.
 23. Scientific Officer. 6350-225-7700-EB-240- 120-
 9380-250-11130
 24. Sr.Scientific Assistant. 5500-160-6460-EB-175- 90-3000-
 7860-190-9760.
 25. Scientific Assistant. 4500-120-5220-EB-130-
 6260-140-7660.
 26. Laboratory Asstt. 3725-90-4265-EB-100-
 5065-110-6165.
 27. Lab Attendant 2440-40-2680-EB-50-
 3080-60-3680.
 28. Electrician 2650-50-2950-EB-60-
 3430-70-4130.

VI. VILLAGE DEFENCE ORGANISATION

29. Circle Organiser. 3100-70-3520.EB-80-
 4160.90-5060.
 (Matriculate)
 30. Addl.Circle Organiser. 3100-70-3520-EB-
 4160-90-5060.
 (Matriculate)

MEGHALAYA POLICE RADIO ORGANISATION.

31. Supdt. of Police (Communication). 8750-275-10400-EB-300-
 13100.
 32. Additional Supdt. of Police 8750-275-10400-EB-300-
 (Communication) 13100.
 33. Deputy Superintendent of Police 6350-225-7700-EB-240-
 9380-250-11130.
 34. Deputy Superintendent of Police 6350-225-7700-EB-240-
 9380-250-11130
 35. Inspector. 5500-1 60-6460-EB-I 75-
 7860-190-9760.
 36. Sub-Inspector (Operator) . 5300-1 50-6200-EB-I 60-

- | | |
|--|--|
| (RM/Fitter/Store). | 7480-170-9180. |
| 37. Assistant Sub-Inspector
(Operator/RM/Fitter). | 3725-90-4265-EB-100
5065-110-616 |
| 38. Constable Operator. | 3100-70-3520-EB-80-
4160-90-5060. |
| 39. Constable Driver Despatch
Rider/Messenger/Const. Orderly
Handyman/Carpentry Const. | 3100-70-3520-EB-80-
4160-90-5060.
(Matriculate)
2900-60-3260-EB-70-
3810-80-4620.
(Non-Matriculate) |

STATE FIRE SERVICE ORGANISATION.

- | | |
|---|--|
| 40. Superintendent of Police (Fire Service) | 8750-275-10400-EB-300- Service).
13100. |
| 41. Divisional Fire Service Officer. | 6350-225-7700-EB-240-
9380-250-11130. |
| 42. Inspector. | 5500-160-6460-175-
7860-190-9760. |
| 43. Station Officer (Rank S.I. of Police). | 5100-140-5940-EB-150-
7140-160-8740. |
| 44. Sub-Officer. | 3725-90-4265-EB-100-
5065-110-6165. |
| 45. Leading Fire-man (Rank A.S.I). | 3450-80-3930-EB-90-
4650-100-5650. |
| 46. Mechanic. | 3100-70-3520-EB-80-
4160-90-5060. |
| 47. Fireman (Rank of Constable). | 3100-70-3520-EB-80-
4160-90-5060.
(Matriculate)
2900-60-3260-EB-70-
3820-80-4620.
(Non-Matriculate) |
| 48. Driver (Rank of Constable). | |
| 49. Cook. | 2440-40-2680-EB-50-
3080-60-3680. |
| 50. Dhobi.. | 2440-40-2680-EB-50-
3080-60-3680. |
| 51. Barber. | 2440-40-2680-EB-50-
3080-60-3680. |
| 52. Sweeper. | 2440-40-2680-EB-50-
3080-60-3680. |

CONSTRUCTION CELL

- | | |
|-------------------------|--|
| 53. Assistant Engineer. | 6100-200-7300-225-
8875-240-10795.
6350-225-7700-EB-240-
9380-250-11130.
(For B.E. Graduate) : |
| 54. Draftsman Grade-II. | 3975-100-4575-EB-110- |

55. Record Keeper (D.G.P.'s Office).	5455-120-6655. 4500-120-5220-EB-130- 6260-140-7660.
56. Police Doctor.	6100-200-7300-225- 8875-240-10795. 6350-225-7700-EB-240- 9380-250-11130. (For MBBS Degree Holder)
57. Journalist.	4250-110-4910-EB-120- 5870-130-7170.
58. Nurses.	4500-120-5220-EB-130- 6260-140-7660.
59. Dhai.	2900-60-3260-EB- 3820-80-4620.
60. Attendant (Computer Cell).	2900-60-3260-EB- 3820-80-4620. (Non-Matriculate) 3100-70-3520-EB-80- 4160-90-5060. (Matriculate)

POLICE TRAINING SCHOOL

61. Principal.	Borne on IPS Cadre.
62. Asstt. Principal.	6350-225-7700-EB-240- 9380-250-11130. (M.P.S. Cadre)
63. Chief Drill Instructor.	5500-160-6460-EB-175- 7860-190-9760.
64. Vice Chief Drill Instructor.	5100-140-5940-EB-150- 7140-160-8740.
65. Armourer/Naik/Lance Naik.	2900-60-3260-EB- 3820-80-4620.
66. Cook/Barber/Dhobi.	2440-40-2680-EB-50- 3080-60-3680.

STATEMENT SHOWING THE SCALE OF PAY OF MINISTERIAL STAFF UNDER POLICE DEPARTMENT

SL. NO.	NAME OF SERVICE OR POST	REVISED SCALE OF PAY
<u>(A)-Head of Department.</u>		
1.	Registrar	- 5900-190-7040-EB-200-8640-225-10440
2.	Superintendent	- 5300-150-6200-EB-160-7840-170-9180
3.	Upper Division Assistant	- 4500-120-5220-EB-130-6260-140-7660
4.	Lower Division Assistant	- 3450-80-3930-EB-90-4650-100-5650
5.	Stenographer Grade-I	- 6850-240-8290-EB-250-10040-260-11600
6.	Stenographer Grade-II	- 4900-130-5680-EB-140-6800-150-8300
7.	Stenographer Grade-III	- 3975-100-4575-EB-110-5455-120-6655
8.	Selection Grade typist	- 3975-100-4575-EB-110-5455-120-6655
9.	Typist (ordinary Grade)	- 3100-70-3520-EB-80-4160-90-5060
10.	Duftry	- 2650-50-2950-EB-60-3430-70-3680
11.	Peon	- 2440-40-2680-EB-50-3080-60-3680
<u>D.I.G. SB/CID/ACB</u>		
1.	Head Assistant	- 5300-150-6200-EB-160-7480-170-9180
2.	Supervisor Asstt./ Accountant/record Keeper	- 3975-100-4575-EB-110-5455-120-6655
3.	First Assistant	- 3975-100-4575-EB-110-5455-120-6655
4.	Index Assistant	- 3975-100-4575-EB-110-5455-120-6655
5.	Asstt. Index Clerk	- 3450-80-3930-EB-90-4650-100-5650
6.	Accounts Asstt.	- 3100-70-3520-EB-80-4160-90-5060
<u>DIST/BN. OFFICES</u>		
1.	Head Assisnt	- 4500-120-5220-eb-130-6260-140-7660
2.	Supervisory Assistant	- 3975-100-4575-EB-110-5455-120-6655
3.	Upper Division Assistant	- 3975-100-4575-EB-110-5455-120-6655
4.	Lower Division Assistant	- 3100-70-3520-EB-80-4160-90-5060

SANCTIONED POST UNDER PIF SCHEME GOVERNMENT OF INDIA

I. Watch Posts	SI	ASI	Constable	Retention Letter No.			
1. Hallidayganj (WGH)	1	-	2	HPL.79/72/147 dt.8.1.74			
2. Rajaballa (WGH)	1	-	2				
3. Bagularbhita (WGH)	1	-	2				
4. Ampati (WGH)	1	-	2				
ARMED FORCE:	Hay. Naik	AB Const	Other Staff I				
	1	1	11	5 (UD-1, LDA -2, Typist -1 & Duftry-1)			
II. Patrol Posts	SI	ASI	Constable	Retention Letter No.			
1. Balat (EKH)	1	1	6	HPL.79/72/149 dt. 8.1.74			
2. Shella (EKH)	1	1	6				
3. Tyllap (EKH)	1	1	6				
4. Bholaganj (EKH)	1	1	6				
5. Gomaghat (WKH)	1	1	6				
6. Borsora (WKH)	1	1	6				
7. Muktapur (JH)	1	1	6				
8. Dawki (JH)	1	1	6				
9. Umkiang (JH)	1	1	6				
10. Kalaichar (WGH)	1	1	6				
III. Passport Check Posts	SI	ASI	Constable	Retention Letter No.			
1. Dalu (WGH)	1	-	2				
2. Baghmara (SGH)	-	1	1				
3. Bholaganj (EKH) .	-	1	1				
4. Dawki(JH)	1	-	2	HPL.79/72/150dt.8.1.74			
IV. For taking Finger Print & Photographs	SI	ASI	Constable	Retention Letter No.			
1. Shillong	1	1	1	HPL.79/72/150 dt. 8.1.74			
2. Tura	1	1	1				
V. For Special Branch.	DySP	Insp	SI	ASI	Const	D/C	Other Staff
1. Shillong	1	2	4	-	4	1	2 (Typist -1&Attendant-1)
2. Tura	-	2	2	-	2	-	HPL.79/72/149 dt. 8.1.74.

COMPENSATION FOR HOLIDAYS FOREGONE

In pursuance of Govt. decision on the recommendation of the Review Committee and after careful consideration in the matter, the Governor of Meghalaya is pleased to order that beginning with the 1st of January, 2003 and until further orders, monetary compensation shall be admissible for holidays foregone in respect of government employees belonging to Groups 'C' and 'D' posts/services who by the very nature of their duties, have to forego not less than 40 (forty) public holidays, including Sundays and other holidays in a calendar year. The monetary compensation for such holiday foregone as laid down shall be admissible to the extent of one month's basic pay which the government employee is drawing on the last month of the calendar year for which holiday foregone is considered, which shall be limited to a minimum of Rs. 2500/- and will be subjected to the further following conditions:

- (a) The monetary compensation shall be in lieu of all other forms of compensation as may have been admissible hitherto. Group 'C' and 'D' employee who is allowed the benefit of Special Pay, Honorarium, Overtime allowance etc is not entitled to this monetary compensation.
- (b) The power to sanction the monetary compensation shall lie with the Administrative Heads of the department who shall invariably consult Finance Department before issue of sanction,. In respect of Secretariat employees, the sanction shall be accorded with the approval of the Chief Secretary, and with the concurrence of Finance Department.
- (c) The work/job required to be accomplished or carried out during such holidays foregone should be specified and the officers/staff detailed for the specified work/job should be indicated in the orders issued by the competent authority for the purpose.
- (d) The following shall be the competent authority to direct or issue orders requiring the attendance of officers/staff in office during such holidays for disposal of specified work/jobs:
 - (i) Officers not below the rank of Joint Secretary to the Government in the case of all Administrative Departments of the Government.
 - (ii) Heads of Departments in the offices of the Heads of Departments.
 - (iii) Heads of Office with the approval of the Deputy Commissioner/Sub-Divisional Officer (Civil) in respect of District and Subordinate Offices.
- (e) The volume of work/job performed by the employees during such holidays should be quantified and recorded and every proposal for sanction of monetary compensation should be certified to the effect that attendance in office during such holidays is not for the purpose of clearance of arrears/backlogs or for disposal of normal work. *It is clarified that attendance in office during holidays for the purpose of clearance of arrear or normal work is not to be treated as being in public interest and no monetary compensation is payable.*

- (f) Working hours for the purpose of the Scheme shall constitute 7 hours during summer and 6½ hours during winter. Attendance in office for performing specified works/jobs during such holidays for a period less than four hours but more than two hours shall be treated as half-day while attendance for less than two hours shall be ignored.
- (g) A Register of Attendance in office during public holidays/Sundays/other holidays in the form given at Appendix-I should be maintained in each office and entries should be made as and when work(s) during such holidays was/were performed by the employees concerned on the orders of the competent authority.
- (h) The Register should be examined by superior officers while processing and recommending the sanction. The Register shall also be open to examination by Audit at the time of inspection of Audit. Any instance of undue grant of the monetary compensation should be brought to the notice of the higher authorities i.e. the Finance Department.
- (i) The Heads of Offices shall meticulously keep proper account of holidays foregone in the interest of public service by the employee and shall invariably submit such account in support of the proposal for sanction.

2. The Group 'C' and 'D' employees of the Printing and Stationery Department who are covered under the Industrial Employees Act and who are entitled to the grant of Over-time allowance shall not be covered by the Scheme.

3. The expenditure on account of the monetary compensation shall be debited to the detailed head "Salaries" of the respective Head of Account.

Sd/-SHREERANJAN
Commissioner & Secretary to the Government of Meghalaya
Finance Department

APPENDIX-I

REGISTER OF ATTENDANCE IN OFFICE DURING PUBLIC HOLIDAYS/SUNDAY/OTHER HOLIDAYS

SL No	Name	Designation of Government Employee Required to attend office during Public holidays, etc.	Basic Pay	Date and Time		Nature of works performed	Why work could not be performed during prescribed hours of work	Signature of the competent authority with Name in Capital and designation
				Arrival	Departure			
1	2	3	4	5	6	7	8	9

In partial modification of this Deptt's Office Memorandum No. HPL.465/81/128 dated 7th March, 1992, the Governor of Meghalaya is pleased to sanction the grant of free ration to the personnel of the MLP Battalions from the level of Constables up-to the rank of Coy Commanders at the revised rates as shown below with effect from the date of issue of this Office Memorandum.

FRESH RATIONS

Sl.No	Items	Scale per head per month	Unit rate	Rate/ month	Calorific value /month	Daily calorific value
1.	Rice	15.00 Kg	7.00	105.00	25865.00	862.00
2.	Atta	3.00 Kg	12.00	36.00	11115.00	370.00
3.	Dal	3.00 Kg	36.00	108.00	12000.00	400.00
4.	Sugar	2.00 Kg	11.40	22.80	9364.00	312.00
5.	M/Oil R/Oil	2.50 Lit	41.50	103.75	26483.00	882.00
6.	Salt	300.00Gms	4.00	1.20	-	-
7.	Tea leaf	600.00Gms	150.00	90.00	-	-
8.	Tinned Milk	2.00 Kg	122.50	245.00	714.00	23.00
9.	Onion	2.00 Kg	16.00	32.00	11.00	38.00
10.	Potato	4.00 Kg	6.00	24.00	4562.00	152.00
11.	Meat-on-Hoof	6.00 Kg	45.00	270.00	20529.00	684.00
12.	Vegetable (fresh)	6.00 Kg	4.61	27.66	13945.00	464.00
13	Cooking gas	600.00 Gms	11.57	69.42		
				1134.83	124588.00	4187.00

NOTE : The above items against sl. 11 “ Meat on Hoof “ may be substituted by pork/Beef/Fish/Eggs on discretion , but the quantum of substitutes will be determined so that the cost of alternative items will not be higher than the cost of items as specified.

The above benefit of the Free ration herein sanctioned shall not be extended to the Gazetted ranks.

HOUSE RENT ALLOWANCE

The Undersigned is directed to say that the question of enhancement of the existing rates of House Rent allowance sanctioned under this Department's O.M. No. F(PR)-71/97/1 dated 7.10.97 has engaged the attention of the government for sometime past. After careful consideration of all aspects of the matter, the Governor of Meghalaya is pleased to order enhancement of the rates of the House Rent Allowance as indicated below:-

Pay range/Type of Accommodation	Amount of House Rent Allowance		
	Shillong Urban Agglomeration	Dist. Hq. towns of Tura/Nongstoin/Jowai/Williamnagar Nongpoh/Baghmara	Other places
1	2	3	4

Rs.	Rs	Rs	Rs.
1. 12875-17000/VI	1450.00	1150.00	800.00
2. 1075-12874/V	1150.00	925.00	650.00
3. 9025-10749/IV	925.00	775.00	550.00
4. 7750- 9024/III	850.00	700.00	500.00
5. 4500-7749/II	700.00	550.00	450.00
6. Below 4499/I	550.00	450.00	325.00

The Governor of Meghalaya is also pleased to decide that the existing terms and conditions stipulated in O.M. No.F(PR)-71/97/1 dated 7.10.97 shall continue to apply.

The expenditure on the payment of House Rent allowance at the revised rates herein sanctioned shall be debitible to the Head of Account from which the employees draw their salaries.

This order shall take effect from 1.4.2001.

RATION ALLOWANCE

In partial modification of this Department's Office Memorandum No. HPL.87/92/84 dated 6.7.92, the Governor of Meghalaya is pleased to sanction the grant of Ration Allowance to the following categories of police personnel (other than personnel of the MLP Battalions) at the rates and with effect from the date of issue of this Office Memorandum.

Sl.No.	Categories	Rate of Ration allowance admissible per month.
1	2	3
1	<u>ARMED BRANCH</u> Armed Branch Police personnel up to the rank of Inspector	Rs. 420/-P.M.
2.	<u>UN-ARMED BRANCH</u> Unarmed Branch Police personnel upto the rank of Inspector	Rs. 330/-P.m.

The expenditure is debitable to the Head of Accounts from the Police personnel drawn from their respective salaries etc.

This sanction is issued with the concurrence of the finance (Pay revision) Department vide their letter No. F(PR)-77/97/67, dated 22.8.2002.

RISK ALLOWANCE

In pursuance of the recommendation of the Third Meghalaya Pay Commission, the Governor of Meghalaya is pleased to order that the grant of Fire Service risk allowance presently admissible to the all categories of Fire service Personnel as sanctioned vide office Memorandum No. HPL.374/82/13 dt. 15.6.1985 and risk Allowance presently admissible in respect of the officers of the Forensic Science Laboratory as sanctioned vide letter No. HPL. 65/85/pt/39 dt. 9.1.92 will continue as shown below:-

- | | | |
|----|---|--|
| 1. | Fire Service Personnel | Fire Risk Allowance at the rate of 10% of basic pay subject to a maximum of Rs. 200/-Pm. |
| 2. | Officers/Staff of Forensic Science Laboratory viz., Director, Asstt. Director, Senior Scientific Officer, Scientific Inspector, Senior Scientific, Assistant, Scientific Assistant, Lab Assistant, Lab Attendant. | Risk allowance at the rate of 10% of basic pay subject to a maximum of Rs. 250/-P.M. |

GOVERNMENT OF MEGHALAYA
HOME (POLICE) DEPARTMENT

No. HPL.374/82/13

Dated Shillong the 15th June 1985.

OFFICE MEMORANDUM

RISK ALLOWANCE IN FIRE SERVICE

The Governor of Meghalaya in consideration of the risk of life to which the Fire Service Personnel are exposed to in the performance of their duties, is pleased to sanction the grant of Fire Risk Allowance to all Categories to all of Fire Service Personnel in Meghalaya @10% of Basic Pay subject to a maximum of Rs.200/- PM.

This order takes effect from the date of issue or orders.

RISK ALLOWANCE IN FSL

I am directed to convey the sanction of the Governor of Meghalaya to the grant of Risk allowance at the rate of 10% of basic pay subject to the maximum of Rs. 250.00 P.M. effect from 1st October 1991 to the following officers of the Forensic Science Laboratory:-

1. Director
2. Asstt. Director
3. Sr. Scientific Officer
4. Scientific Officer
5. Scientific Inspector
6. Sr. Scientific Assistant
7. Scientific Assistant
8. Laboratory Assistant
9. Laboratory Attendant

The expenditure is debatable to the head “ 2055-Polico-116-Forensic Science (a) Forensic Science Laboratory (b) Salaries- general-Non-Plan” in the budget for the corresponding year.

This issues with the orders contained in finance (PR) Deptt's letter No. F(PR)99/89/58 dated 31.10.91.

KIT ALLOWANCE

In partial modification of this Departments office Memorandum No. HPL. 278/80/65 dt. 18.4.89, the Governor of Meghalaya is pleased to sanction the grant of kit allowance to various categories of Police personnel at the rates as indicated below :-

Catagories	Intitial grant	Maintenance grant
<u>State Police Service (Senior)</u>		
Supdt. Of police/ Addl. Superintendent	Rs. 2,000	Rs. 600 (Rupees Six hundred) for every three years)
Of Police/ Commandant/ Second In-command/ Supdt. Of police (Communication)/ Fire Adviser/ Dy. Fire Adviser.	(Rupees Two thousand)	
<u>State Police Service (Junior)</u>		
Deputy Supdt. Of Police/ Deputy Supdt. Of Police(Communication)/ Deputy Supdt. Of Police (Cryptography)/ Asstt. Commandant/ Asstt. Principal Police Training Centre Adjutant/Quartermaster.	-do-	-do-

The revised rates of Kit Allowance will be admissible only to those Police personnel who are (1) directly appointed by the Meghalaya Government and (2) were appointed by the Assam Govt. but have been permanently absorbed in Meghalaya under section 64(1) of the North Eastern Areas (Re-organisation)Act,1971.

GRANT OF KIT MAINTENANCE ALLOWANCE

In pursuance of the recommendation of the 2nd Meghalaya Pay Commission, 1988 and in supersession of all previous orders on the subject, the governor of Meghalaya is pleased to sanction the Grant of Kit Maintenance allowance against each category of Police personnel under the State Govt. at the rate as indicated below with effect from 1.4.88.

Sl. No.	Designation	Amount per Month
1.	Gazetted Officer	Rs. 60/-
2.	Inspector/Sub-Inspector	Rs. 50/-
3.	Assistant Sub-Inspector	Rs. 40/-
4.	Havildar/Head Constable/Constable	Rs. 30/-

Note:

The Police personnel in Traffic Branch wearing white uniforms will be entitled to 50 percent more than their counterparts in other branches.

The Kit Maintenance allowance shall be admissible only to those Police personnel who (1) are directly appointed by the Meghalaya Government and (2) were appointed by the Assam Government but have since been permanently absorbed in Meghalaya under section 64 (1) of the North Eastern Areas (Re-organisation) Act, 1971.

STATEMENT SHOWING VARIOUS ALLOWANCES

Dearness Allowance	House Rent Allowance	Medical Allowance	Hill Allowance	Winter Allowance	Kit Allowance		
						Initial grant	Maintenance Grant
As per Govt Orders issued from time to time vide latest Govt OM No. F(PR)-69/97/65 dated 12/5/2003 DA @ 56% of Basic pay is effective from 1.1.2003.	House Rent Allowance is given according to the pay scale (ref Govt. No. F(PR)-71/97/6 dated 31.3.2001 (Copy enclosed))	Rs300/- PM flat rate to all categories of Govt employees	@ Rs.130/- PM flat rate to all categories of Govt. employees	@ Rs200/- PM (for 4 months only, i.e. Nov, Dec, Jan & Feb)	<u>State Police Services (Senior)</u> SP/Addl SP/CO/2 nd IC/SP©/Fire Adviser/Dy Fire Adviser	Rs.2000/-	Rs.600/- (for every 3 years)
					<u>State Police Service (Junior)</u> DySP/DySP(C)/DySP(C rypograph)Asstt Principal PTS/Adjutant/ Qr Master	-do-	-do-
					The above allowance is effective from 1.4.88 as per Govt OM No. HPL.278/80/80 dt. 22.2.90 (Copy enclosed)		

ADMISSIBLE TO GOVERNMENT EMPLOYEES

Kit Maintenance Allowance			Uniform Allowance	Risk Allowance	Ration Money	Compensation for Holidays foregone
Sl No	Designation	Amt per month	Free issue of clothing uniforms upto the rank of inspectors	Risk Allowance is given to the personnel of Fire Service and FSL at the rate shown below as per Govt OM No. HPL.374/82/39 Dt. 9.12.98 (Copy enclosed)		(a) Rs.420/- PM for (AB) Police personnel upto the rank of Inspectors. (b) Rs. 330/- PM for (UB) Police personnel upto the rank of Inspector This is as per Govt OM No. HPL.46/99/153 dt 7.11.2002 (Copy enclosed) This is as per Govt. OM No. F(PR)-17/02/48 dt 22.11.02 (Copy enclosed)
1	GO	Rs.60/-	1) Fire Service Personnel	Fire Risk Allowance @ 10% of basic pay subject to a maximum of Rs. 200/- PM		
2.	Inspr /SI	Rs.50/-	2) Officers/ Staff of FSL	Risk Allowance @ 10% of basic pay subject to a maximum of Rs.250/- PM		
3.	ASI	Rs.40/-				
4.	Hav/ HC/ Const	Rs.30/-				
The above allowance is effective 1.4.88 as per Govt OM No. HPL.278/80/66 dt 18.4.89.						

PRESENT POSITION OF MEGHALAYA POLICE VEHICLES

AS ON 25/06/2003

SNO	Name of the Dist/Unit/Orgn	Ambassador	Esteem	Tata Sumo	Gypsy	Jeep	FC	Armada	Ambulance	Truck/Ashok Leyland	Mini Truck	Recovery Van	Bus	Mini Bus	Mortuary Van	Total
(1)	(2)	(3)	(5)	(6)	(7)	(8)	(9)	(10)	(11)	(12)	(13)	(14)	(15)	(16)	(17)	(18)
1	East Khasi Hills	1	X	X	34	26	2	X	1	5	4	5	X	X	1	79
2	West Khasi Hills	1	X	X	7	8	X	X	X	1	3	1	X	X	X	21
3	Jaintia Hills	X	X	X	17	8	X	1	X	1	2	2	X	X	X	31
4	East Garo Hills	1	X	X	10	10	1	X	X	1	5	1	X	X	X	29
5	West Garo Hills	X	X	X	9	13	1	1	1	3	3	2	1	X	X	34
6	South Garo Hills	X	X	X	7	6	X	X	X	X	4	X	X	X	X	17
7	Ri-Bhoi District	X	X	X	12	7	X	X	1	X	2	2	X	1	X	25
8	Police Headquarters	8	1	X	8	2	X	1	X	X	X	X	X	X	X	20
9	Eastern Range	X	X	X	X	1	X	1	X	X	X	X	X	X	X	2
10	Western Range	1	X	1	2	X	X	X	X	X	X	X	X	X	X	4
11	DIG (FS/MPRO/TRG)	1	X	X	X	1	X	X	X	X	X	X	X	X	X	2
12	IGP (L&O/TAP)	1	X	X	1	X	X	X	X	X	X	X	X	X	X	2
13	SB/Infil	4	X	X	9	4	X	X	X	X	1	X	X	X	X	18
14	CID	3	X	X	4	4	X	X	X	X	X	X	X	X	X	11
15	MPRO	1	X	X	3	4	1	X	X	X	2	X	X	X	X	11
16	PTS	X	X	X	1	3	X	X	X	1	1	X	X	X	X	6
17	FSL	1	X	1	1	1	X	X	X	X	X	X	X	X	X	4
18	1st MLP Bn	1	X	X	6	9	X	X	1	6	3	X	4	1	X	31
19	2nd MLP Bn	1	X	X	3	10	2	X	X	7	2	X	2	1	X	28
20	3rd MLP (IRBN)	X	X	X	1	6	X	1	1	7	3	X	6	3	X	28
21	4th MLP (IRBN)	X	X	X	X	3	X	X	X	X	1	X	X	X	X	4
22	Fire Service	1	X	X	X	4	X	X	X	X	X	X	X	X	X	5
23	Fire Service (WGH)	X	X	X	X	1	X	X	X	X	X	X	X	X	X	1
24	Fire Service (EGH)	X	X	X	X	1	X	X	X	X	X	X	X	X	X	1
25	Fire Service (SGH)	X	X	X	X	X	X	X	X	X	X	X	X	X	X	0
26	Fire Service (WKH)	X	X	X	X	1	X	X	X	X	X	X	X	X	X	1
27	Fire Service (RB)	X	X	X	X	3	X	X	X	X	X	X	X	X	X	3
28	Fire Service (JH)	X	X	X	X	1	X	X	X	X	X	X	X	X	X	1
	Total	26	1	2	135	137	7	5	5	32	36	13	13	6	1	419

PRESENT POSITION OF MEGHALAYA FIRE SERVICE
VEHICLES

SNO	Name of the Dist/Unit/Orgn	Jeep Fire Engine	Water Tender Pump	Water Tanker	Mini Water Tender Pump	Hydraulic Platform	Foam Tender	Water Tanker Pump	Fire Tender	Total
(1)	(2)	(3)	(4)	(5)	(6)	(7)	(8)	(9)	(10)	(11)
22	Fire Service (EKH)	2	16	X	1	1	2	3	X	25
23	Fire Service (WGH)	8	16	X	X	X	X	X	1	25
24	Fire Service (EGH)	3	3	X	X	X	1	X	X	7
25	Fire Service (SGH)	1	2	X	X	X	X	X	X	3
26	Fire Service (WKH)	3	8	X	X	X	1	X	X	12
27	Fire Service (RB)	1	8	X	X	X	1	X	X	10
28	Fire Service (JH)	2	11	X	X	X	1	X	X	14
	Total	20	64	0	1	1	6	3	1	96

PRESENT POSITION OF MEGHALAYA POLICE BP VEHICLES

AS ON 25/06/2003

SNO	Name of the Dist/Unit/Orgn	BP Ambassador	BP Rakshak Bomb Detection Unit	Bullet Proof Gypsy	Bullet Proof 407	Total
(1)	(2)	(3)	(4)	(5)	(6)	(7)
1	East Khasi Hills	1	X	2	8	11
2	West Khasi Hills	X	X	1	2	3
3	Jaintia Hills	X	X	1	1	2
4	East Garo Hills	X	1	2	4	7
5	West Garo Hills	X	1	1	4	6
6	South Garo Hills	X	1	1	3	5
7	Ri-Bhoi District	X	X	1	1	2
8	Police Headquarters	X	X	X	X	0
9	Eastern Range	X	X	X	X	0
10	Western Range	X	X	X	X	0
11	DIG (FS/MPRO/TRG)	X	X	X	X	0
12	IGP (L&O/TAP)	X	X	X	X	0
13	SB/Infil	X	X	X	X	0
14	CID	X	X	X	X	0
15	MPRO	X	X	X	X	0
16	PTS	X	X	X	X	0
17	FSL	X	X	X	X	0
18	1st MLP Bn	X	X	X	X	0
19	2nd MLP Bn	X	X	X	X	0
20	3rd MLP (IRBN)	X	X	X	X	0
21	4th MLP (IRBN)	X	X	X	X	0
22	Fire Service	X	X	X	X	0
23	Fire Service (WGH)	X	X	X	X	0
24	Fire Service (EGH)	X	X	X	X	0
25	Fire Service (SGH)	X	X	X	X	0
26	Fire Service (WKH)	X	X	X	X	0
27	Fire Service (RB)	X	X	X	X	0
28	Fire Service (JH)	X	X	X	X	0
	Total	1	3	9	23	36

PRESENT POSITION OF MEGHALAYA
POLICE MOTOR CYCLE

SNO	Name of the Dist/Unit/Orgn	Motor Cycle	Total
(1)	(2)	(3)	(4)
1	East Khasi Hills	24	24
2	West Khasi Hills	X	0
3	Jaintia Hills	X	0
4	East Garo Hills	X	0
5	West Garo Hills	X	0
6	South Garo Hills	X	0
7	Ri-Bhoi District	X	0
8	Police Headquarters	X	0
9	Eastern Range	X	0
10	Western Range	X	0
11	DIG (FS/MPRO/TRG)	X	0
12	IGP (L&O/TAP)	X	0
13	SB/Infil	X	0
14	CID	X	0
15	MPRO	2	2
16	PTS	1	1
17	FSL	X	0
18	1st MLP Bn	3	3
19	2nd MLP Bn	X	0
20	3rd MLP (IRBN)	2	2
21	4th MLP (IRBN)	X	0
22	Fire Service	X	0
23	Fire Service (WGH)	X	0
24	Fire Service (EGH)	X	0
25	Fire Service (SGH)	X	0
26	Fire Service (WKH)	X	0
27	Fire Service (RB)	X	0
28	Fire Service (JH)	X	0
	Total	32	32